

Product information presented here reflects conditions at time of publication. Consult factory regarding discrepancies or inconsistencies.



U.S. Patent No.
8,562,287

TECHNICAL DATA SHEET

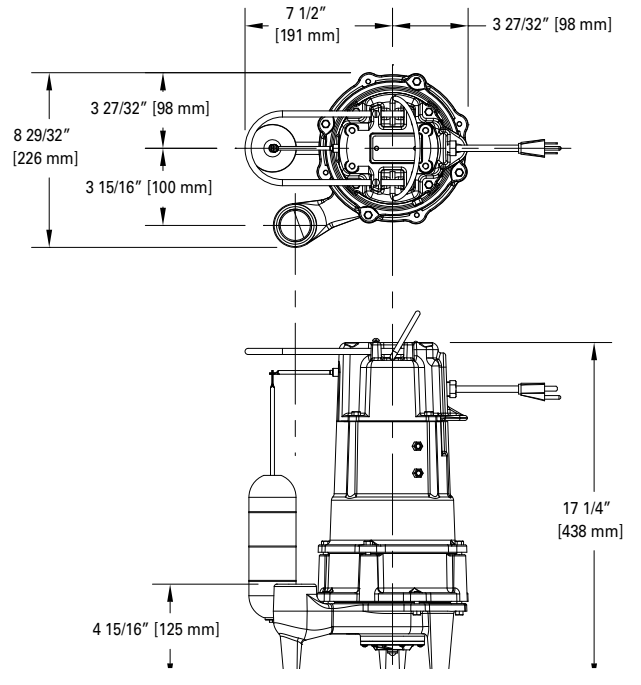
SHARK GRINDER

Model 803/805/807 Residential Grinder Pumps

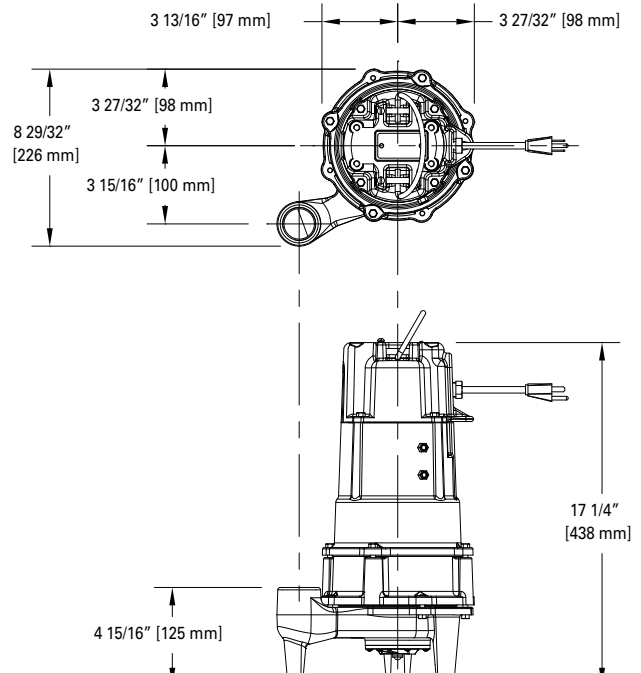
PRODUCT SPECIFICATIONS

MOTOR	Horse Power	0.5 - 1.0
	Voltage	115/230
	Phase	1 Ph
	Hertz	60 Hz
	RPM	3400
	Type	Capacitor start / Capacitor run
	Insulation	Class B
	Amps	115 V (7-11) / 230 V (3-5)
	PUMP	Operation
Auto On/Off Points		13" (33 cm) / 5-3/4" (14.6 cm)
Discharge Size		1.25" NPT
Cord Length		15' (5 m) standard
Cord Type		UL listed 3-wire plug
Max. Head		55' (16.8 m)
Max. Operating Temp.		130° F (54 °C)
Cooling		Oil
Motor Protection		Auto reset thermal overload (1 Ph)
MATERIALS	Cover	Cast iron
	Motor housing	Cast iron
	Adapter	Cast iron
	Pump housing	Cast iron
	Upper Bearing	Ball bearing
	Lower Bearing	Ball bearing
	Mechanical Seals	Carbon and ceramic
	Impeller Type	Non-clogging vortex
	Impeller	Engineered plastic
	Hardware	Stainless steel
	Motor Shaft	1215 cold rolled steel
	Gasket	Neoprene
	Cutter & Plate	440C Stainless Steel

AUTOMATIC



NON-AUTOMATIC



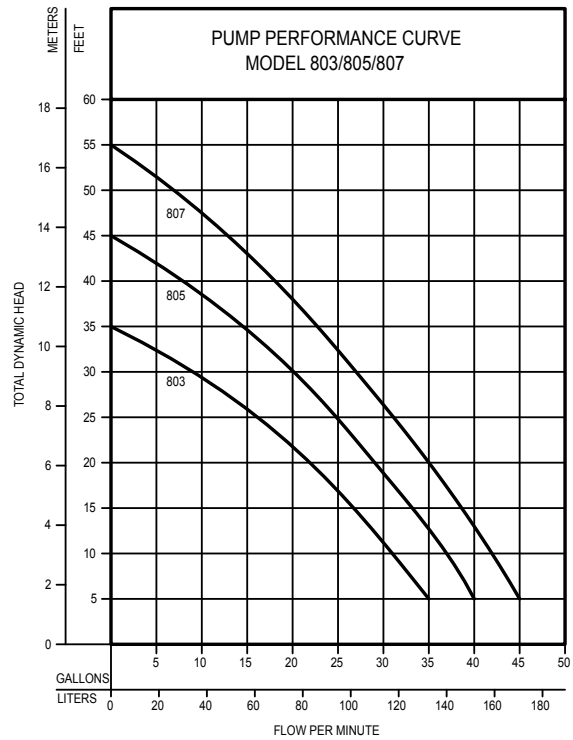
NOTE: The sizing of effluent systems normally requires variable level float(s) controls and properly sized basins to achieve required pumping cycles or dosing timers with nonautomatic pumps.

NOTE: See model comparison chart for specific details.



TOTAL DYNAMIC HEAD FLOW PER MINUTE

MODEL		803		805		807	
Feet	Meters	Gal.	Liters	Gal.	Liters	Gal.	Liters
5	1.5	35	132	40	151	45	170
10	3.0	31	117	37	140	42	159
20	6.1	22	83	29	110	35	132
30	9.1	9	34	20	76	27	102
40	12.2	--	--	8	30	18	68
50	15.2	--	--	--	--	7	26
Shut-off Head:		35 ft. (10.7 m)		45 ft. (13.7 m)		55 ft. (16.8 m)	



153604B

Model	MODEL COMPARISON										
	Seal	Mode	Volts	Ph	Amps	HP	Hz	Lbs.	Kg	Simplex	Duplex
M803	Single	Auto	115	1	7.0	0.5	60	65	29	1	3
N803	Single	Non	115	1	7.0	0.5	60	65	29	2	2 & 3
BN803	Single	Auto	115	1	7.0	0.5	60	65	29	4	3
D803	Single	Auto	230	1	3.0	0.5	60	65	29	1	3
E803	Single	Non	230	1	3.0	0.5	60	65	29	2	2 & 3
BE803	Single	Auto	230	1	3.0	0.5	60	65	29	4	3
M805	Single	Auto	115	1	9.0	0.75	60	65	29	1	3
N805	Single	Non	115	1	9.0	0.75	60	65	29	2	2 & 3
BN805	Single	Auto	115	1	9.0	0.75	60	65	29	4	3
D805	Single	Auto	230	1	4.0	0.75	60	65	29	1	3
E805	Single	Non	230	1	4.0	0.75	60	65	29	2	2 & 3
BE805	Single	Auto	230	1	4.0	0.75	60	65	29	4	3
M807	Single	Auto	115	1	11.0	1.0	60	65	29	1	3
N807	Single	Non	115	1	11.0	1.0	60	65	29	2	2 & 3
BN807	Single	Auto	115	1	11.0	1.0	60	65	29	4	3
D807	Single	Auto	230	1	5.0	1.0	60	65	29	1	3
E807	Single	Non	230	1	5.0	1.0	60	65	29	2	2 & 3
BE807	Single	Auto	230	1	5.0	1.0	60	65	29	4	3

SELECTION GUIDE

1. Integral float-operated mechanical switch, no external control required.
2. For automatic use single piggyback variable level float switch or double piggyback variable level float switch. Refer to FM0477.
3. See FM0486 for correct model of duplex control panel.
4. Single piggyback switch included.



All installation of controls, protection devices and wiring should be done by a qualified licensed electrician. All electrical and safety codes should be followed including the most recent National Electrical Code (NEC) and the Occupational Safety and Health Act (OSHA).