

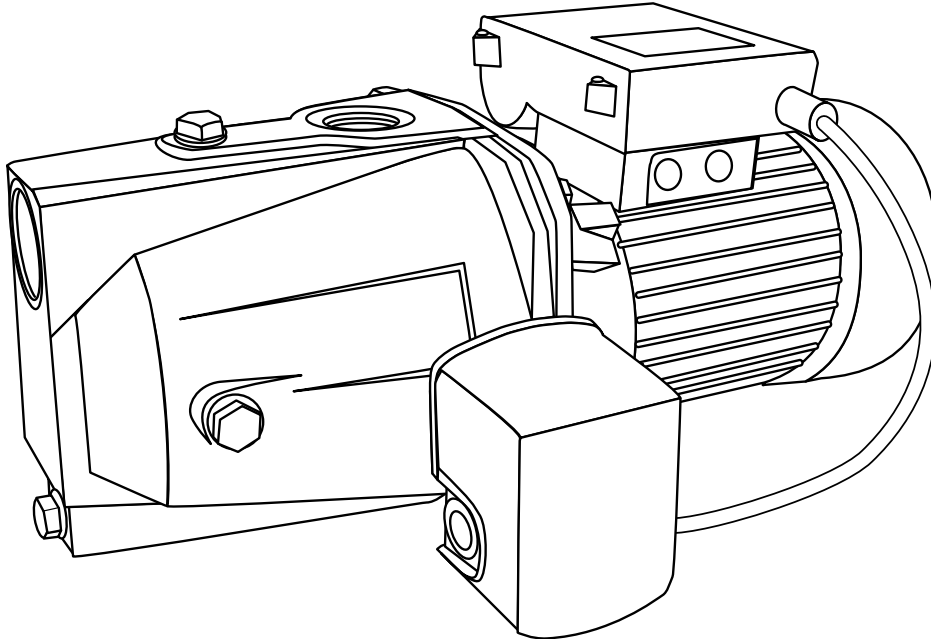
# SHALLOW WELL JET PUMP

MODEL SJ05S 1/2 HP, SJ07S 3/4 HP, SJ10S 1 HP



**WATER SYSTEMS**

starwatersystems.com



**Questions, problems, missing parts?** Before returning to your retailer, call our customer service department at 1-800-742-5044, 7:30 a.m. - 5 p.m., EST, Monday - Friday.

**ATTACH YOUR RECEIPT HERE**

Serial Number \_\_\_\_\_ Purchase Date \_\_\_\_\_

## TABLE OF CONTENTS

---

|                                  |    |
|----------------------------------|----|
| Product Specifications .....     | 2  |
| Safety Information .....         | 2  |
| Package Contents .....           | 4  |
| Preparation .....                | 4  |
| General Pump Information .....   | 5  |
| Well to Pump Connection .....    | 6  |
| Check Tank Pressure .....        | 9  |
| Pump to Tank Connection .....    | 10 |
| Tank to House Connection .....   | 11 |
| Pump Electrical Connections..... | 12 |
| Pump Priming and Startup .....   | 14 |
| Care and Maintenance .....       | 16 |
| Warranty .....                   | 16 |
| Troubleshooting.....             | 17 |
| Replacement Parts .....          | 18 |

## PRODUCT SPECIFICATIONS

---

|   |   |
|---|---|
| Power supply required.....                              | 115 volts or 230 volts, 60 Hz   |
| <b>(Pump is set by the factory to run on 230 volts)</b> |   |
| Maximum water temperature.....                          | 77°F (25°C)   |
| Individual branch circuit required.....                 | 15 Amp minimum  |
| Discharge connection .....                              | 1 in. NPT   |
| Suction connection .....                                | 1-1/4 in. NPT   |
| Motor duty.....   | Continuous duty with enforced air cooling and thermal overload protection |
| Pressure switch .....                                   | Preset at 20 PSI “on” / 40 PSI “off”                                      |
| Water depth rating .....                                | Maximum of 25 ft.   |

| MODEL | HP  | VOLTAGE | HZ | AMP      | CAPACITY - U.S. GALLONS PER MINUTE AT DISCHARGE 20 PSI |        |        |
|-------|-----|---------|----|----------|--|--------|--------|
|       |     |         |    |          | 5 FT.  | 15 FT. | 25 FT. |
| SJ05S | 1/2 | 115/230 | 60 | 7.8/3.6  | 9.5  | 6.5    | 3.5    |
| SJ07S | 3/4 | 115/230 | 60 | 11.0/5.6 | 12.2   | 8.6    | 4.9    |
| SJ10S | 1   | 115/230 | 60 | 11.0/5.6 | 17.0   | 13.0   | 7.0    |

## SAFETY INFORMATION

---

Please read and understand this entire manual before attempting to assemble, operate or install the product.

## DANGER



### **ELECTRICAL SHOCK HAZARD.**

Always disconnect power source before performing any work on or near the motor or its connected load. If the power disconnect point is out-of-sight, lock it in the open position and tag it to prevent unexpected application of power. Failure to do so could result in fatal electrical shock.

### **ELECTRICAL SHOCK HAZARD.**

Do not handle the pump with wet hands or when standing in water as fatal electrical shock could occur. Disconnect main power before handling unit for ANY REASON!

### **RISK OF ELECTRIC SHOCK.**

These pumps have not been investigated for use in swimming pool areas.

## WARNING



### **ELECTRICAL SHOCK ALERT.**

Follow all local electrical and safety codes, as well as the National Electrical Code (NEC) and the Occupational Safety and Health Act (OSHA).

### **ELECTRICAL SHOCK ALERT.**

Replace damaged or worn wiring cord immediately. Never use an extension cord.

### **ELECTRICAL SHOCK ALERT.**

Do not kink power cable and never allow the cable to come in contact with oil, grease, hot surfaces, or chemicals.

### **ELECTRICAL SHOCK ALERT.**

Wire motor to correct supply voltage. See motor nameplate and wiring diagrams and check voltage of power supply.

### **ELECTRICAL SHOCK ALERT.**

Unit must be securely and adequately electrically grounded. This can be accomplished by wiring the unit to a ground metal-clad raceway system or by using a separate ground wire connected to the bare metal of the motor frame or other suitable means.

### **ELECTRICAL SHOCK ALERT.**

Do not disassemble the motor housing. This pump has no repairable internal parts and disassembling may cause leakage or dangerous electrical wiring issues.

### **ELECTRICAL SHOCK ALERT.**

Make certain the electrical power source is adequate for the requirements of the pump.

### **ELECTRICAL SHOCK ALERT.**

Never use an extension cord with this pump.

### **CHEMICAL ALERT.**

This product contains chemicals known to the state of California to cause cancer and birth defects or other reproductive harm.

### **HAZARDOUS PRESSURE ALERT.**

Install pressure relief valve in discharge pipe. Release all pressure on system before working on any component.

### **EXPLOSION ALERT**

Do not use to pump flammable or explosive fluids such as gasoline, fuel oil, kerosene, etc. Do not use in flammable and/or explosive atmospheres.

# CAUTION

**PRODUCT DAMAGE MAY RESULT**

This pump is not to be used for irrigation or water systems.

**PRODUCT DAMAGE MAY RESULT**

Protect the power cable from coming in contact with sharp objects.

**PRODUCT DAMAGE MAY RESULT**

Do not run pump dry.

**PRODUCT DAMAGE MAY RESULT**

Pump and plumbing must be full of water before startup.

**PRODUCT DAMAGE MAY RESULT**

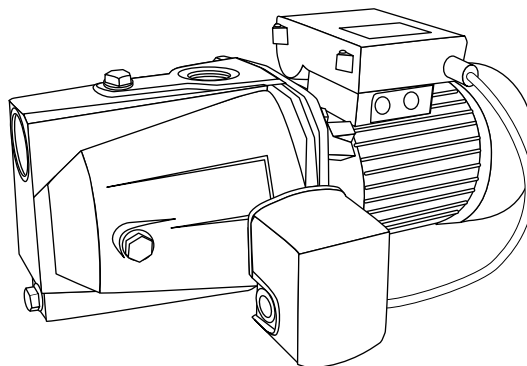
Do not pump water which contains sand, mud, silt, or debris.

**INJURY MAY RESULT**

Be careful when touching the exterior of an operating motor. It may be hot enough to be painful or cause injury.

## PACKAGE CONTENTS

| Description | Quantity |
|-------------|----------|
| Pump        | 1        |



## PREPARATION

Before beginning installation of product, make sure all parts are present. If any part is missing or damaged, do not attempt to assemble the product. Compare parts to package contents list.

Estimated Installation Time: 2 hours.

Tools Required for New Installation (not included): pipe wrench, pliers, Phillips screwdriver, pipe clamp, 2-step PVC glue system (primer and sealer), thread tape, tire gauge or compressor

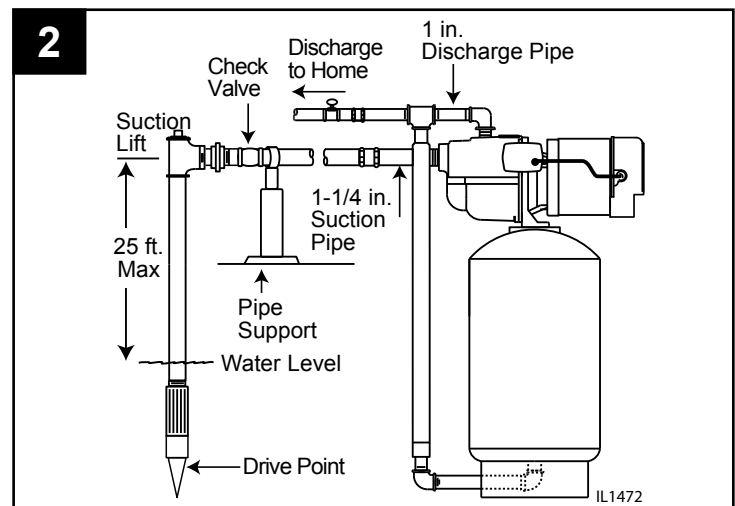
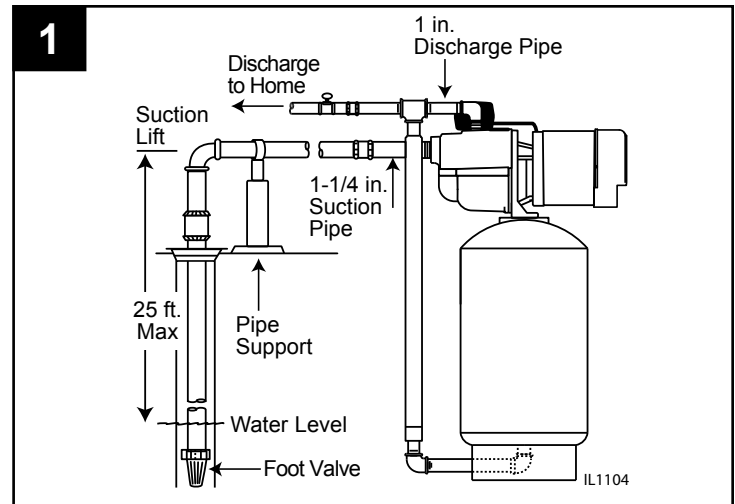
Parts Required for New Installation (not included): well seal, 1-1/4 in. to 1 in. male PVC adapter (2), 1-1/4 in. male PVC adapter, 1 in. male PVC adapter, 1-1/4 in. foot valve, 1-1/4 in. PVC pipe and couplings, 1 in. PVC pipe and couplings, 1-1/4 in. PVC elbow, 1 in. PVC elbow, 1 in. discharge tee, galvanized bushing, pressure gauge (optional) or pipe plug, 1-1/4 in. union (optional), 1 in. union (optional), electrical wire, electrical wire strain relief, 1 in. x 1 in. x 1 in. tee, 3/4 in. x 3/4 in. slip coupling, 1 in. x 1 in. slip adapter, 1 in. x 3/4 in. slip adapter

## GENERAL PUMP INFORMATION

**FOR USE WITH A PRESSURE TANK. DO NOT USE FOR IRRIGATION APPLICATIONS!**

### Typical Pump Setup

1. Shallow well jet pumps are designed for use where the suction lift is 25 ft. or less. They can be used with drilled or cased wells.
2. Jet pumps can also be used with dug wells, driven wells or with cisterns or lakes.



**Ventilation** - Ventilation and drainage must be provided to prevent damage to the motor from heat and moisture.

**Freezing** - Pump and all piping must be protected from freezing. If freezing weather is forecast, drain pump or remove completely from the system.

**Water Supply** - The water source must be able to supply enough water to satisfy the capacity of pump and water needs. See performance chart on page 2.

**Suction Lift** - Suction lift is the vertical distance from the lowest level of the water to the pump intake. Pump will move water as long as it is within 25 vertical ft. of the water source.

**Horizontal Distance** - The horizontal distance is the horizontal measurement between pump suction and the water source. This distance may affect the ability of pump to operate. If it is more than 100 ft., call the manufacturer for assistance: 1-800-742-5044.

## GENERAL PUMP INFORMATION

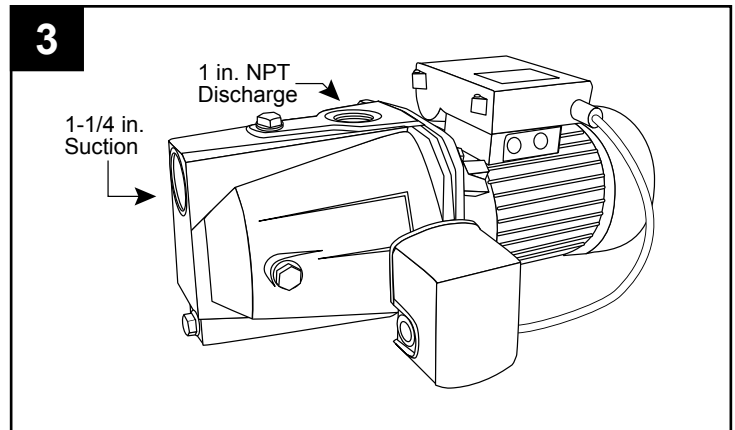
### Pipe And Fittings

3. Use galvanized steel or NSF PW Schedule 40 PVC pipe and fittings. This material is designed for water pressure and will seal against air and water under pressure. Do not use DWV fittings, as these are designed for drains without pressure and will not seal properly.

**⚠ CAUTION:** The entire system must be air and water tight for efficient operation and to maintain prime.

### Wire Size:

The wire size is determined by the distance from the power source to the pump motor and the horsepower rating of the motor. See the wire chart on page 11 for proper wire size.



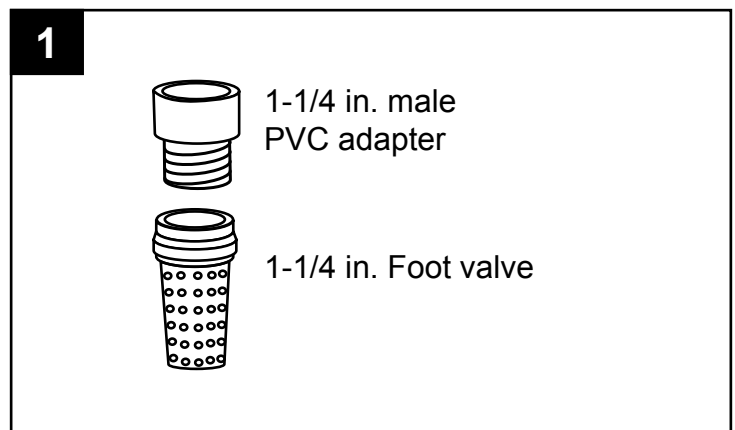
## WELL TO PUMP CONNECTION (SUCTION PIPE)

**⚠ CAUTION:** Dry-fit entire assembly to ensure proper fit before gluing or taping parts.

**⚠ CAUTION:** Follow all proper gluing procedures as specified by the glue manufacturer. Always glue in a vertical direction whenever possible to prevent glue from dripping inside pipe or fittings.

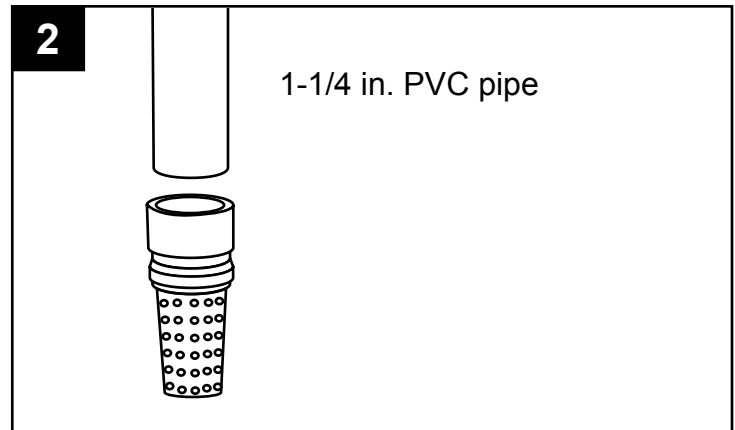
**⚠ CAUTION:** Use pipe tape and pipe paste compound on all male threads. Tighten with wrench to a snug fit and add another 1/4 turn to ensure proper seal.

1. Thread 1-1/4 in. male PVC adapter (not included) into a 1-1/4 in. foot valve (not included). Hand tighten, then tighten 1/2 turn with a pipe wrench.

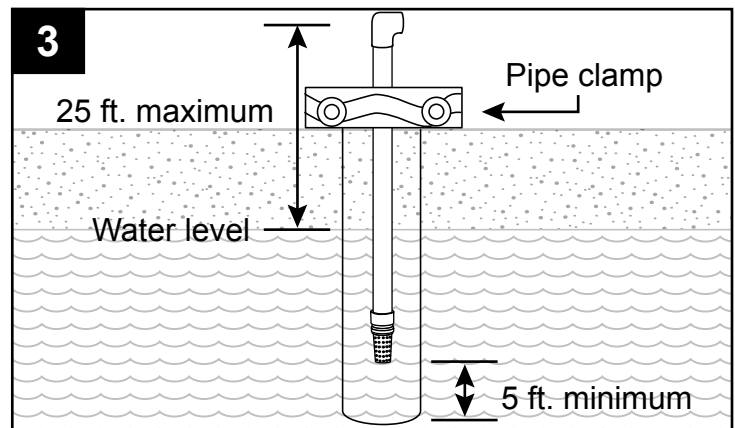


## WELL TO PUMP CONNECTION (SUCTION PIPE)

- Using a 2-step PVC system (not included), attach enough 1-1/4 in. PVC pipe and couplings (not included) to the adapter to equal the depth of the well, minus 5 ft.

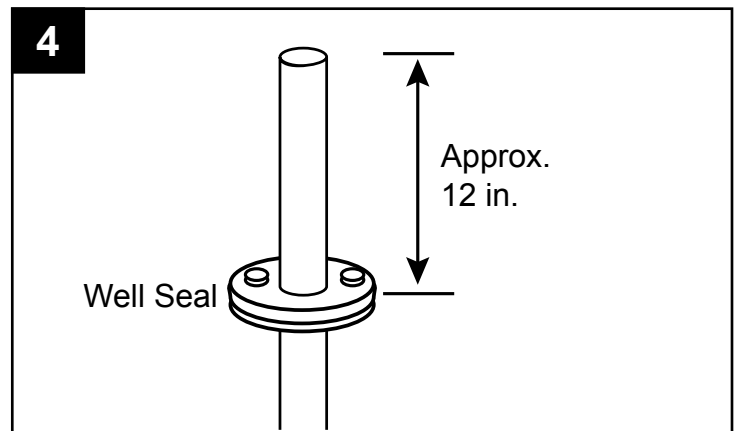


- Before sliding the pipe assembly into the well, firmly clamp the assembly with a pipe clamp (not included) to prevent the assembly from sliding down into the well.

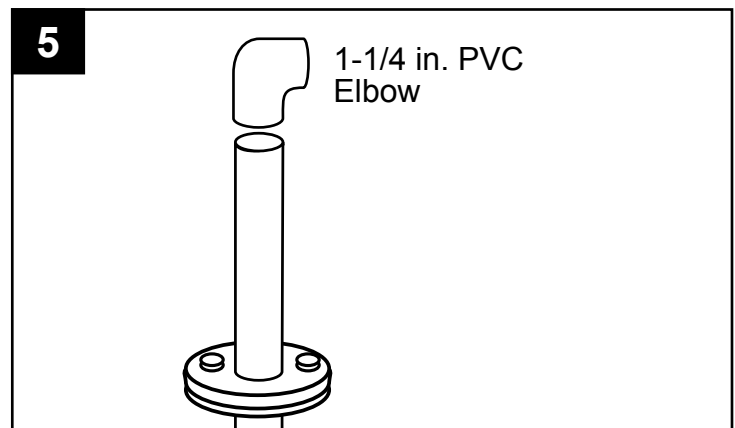


- Remove the pipe clamp and slide a well seal (not included) over the PVC pipe and onto the well casing. The PVC pipe should extend approximately 12 in. above the top of the well seal, depending on the height of the pump.

NOTE: Do not let the assembly slide down into the well. Tighten the well seal until the rubber gaskets are tight against the well casing and the PVC pipe.

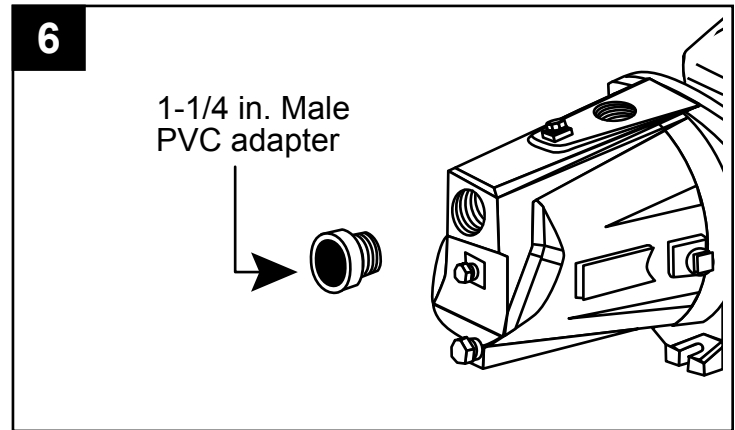


- Using a 2-step PVC system, attach a 1-1/4 in. PVC elbow (not included) onto the rigid PVC pipe extending from the well seal.

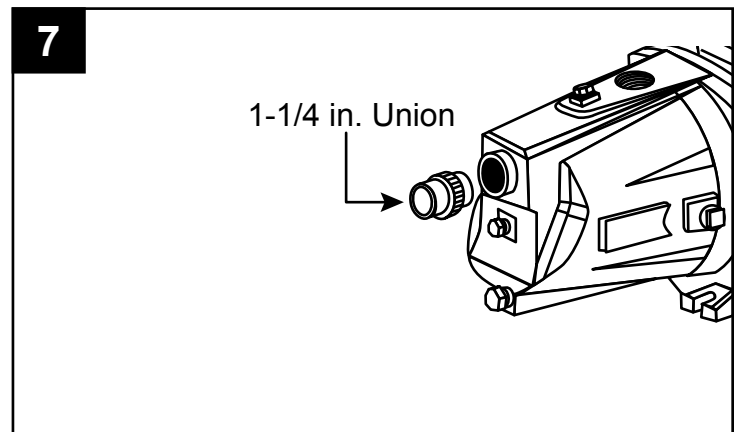


## WELL TO PUMP CONNECTION (SUCTION PIPE)

6. Wrap thread tape (not included) around the threads of a 1-1/4 in. male PVC adapter (not included). Thread the adapter into the 1-1/4 in. opening in the front of pump.

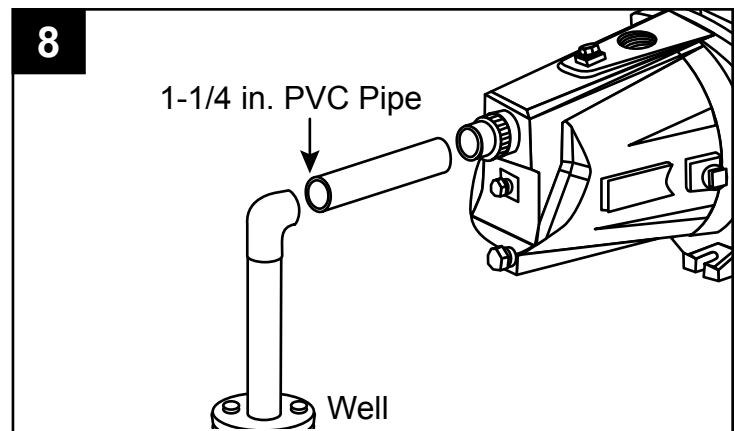


7. An optional 1-1/4 in. union (not included) is recommended for easy connection and disconnection.



8. Using 2-step PVC system, attach 1-1/4 in. PVC pipe and couplings as needed to connect the 1-1/4 in. male PVC adapter to the 1-1/4 in. PVC elbow attached to the top of the well pipe in Step 5.

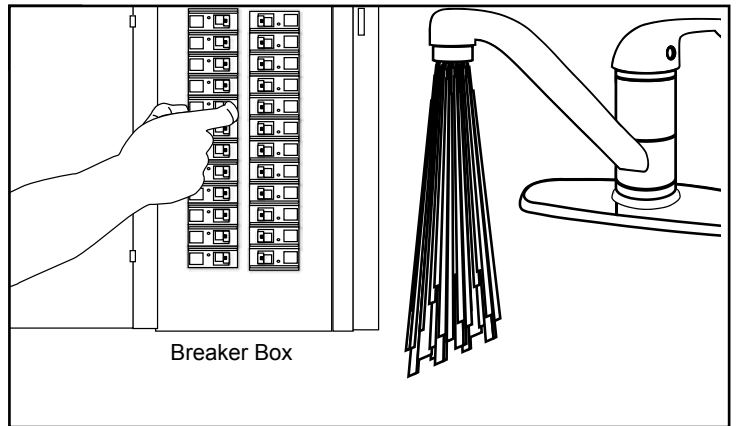
NOTE: Be sure the pipe slopes downward slightly from pump to the well to prevent air pockets.



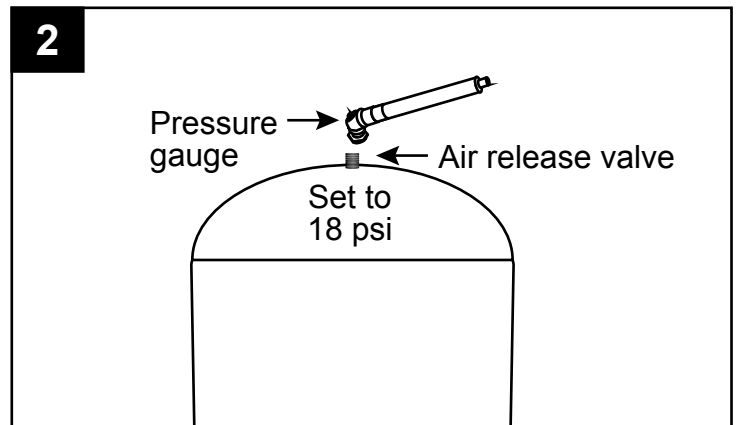


## CHECK TANK PRESSURE

1. Completely drain all water from tank by turning off pump and opening a faucet until water stops.

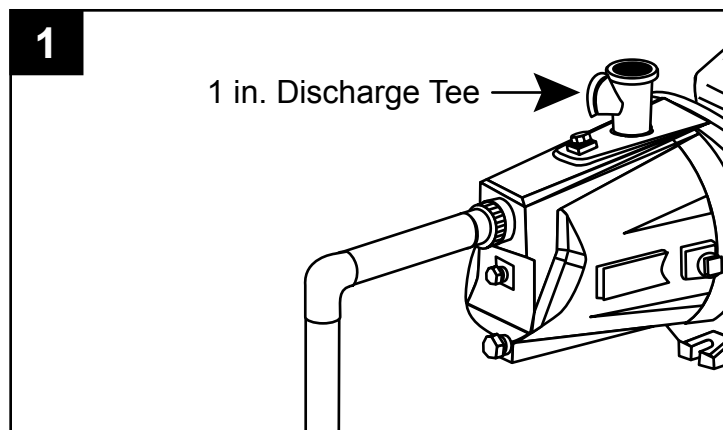


2. Use a pressure gauge to ensure it's set to 18 psi.
  - a. Use a tire pump to adjust the psi to 18 psi
  - b. If water leaks from the air release valve, replace the pressure tank.

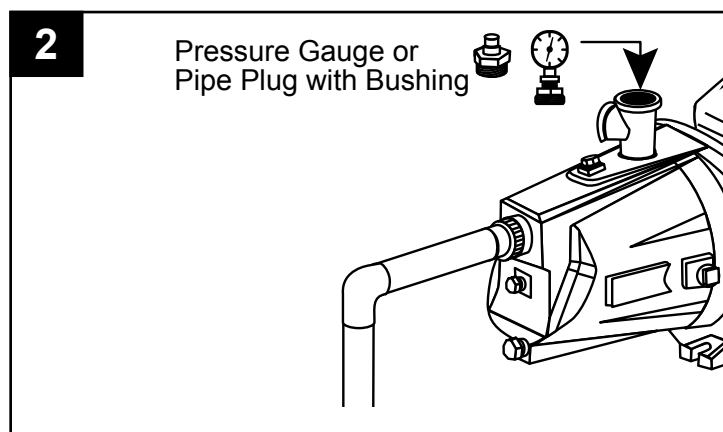


## PUMP TO TANK CONNECTION (DISCHARGE PIPE)

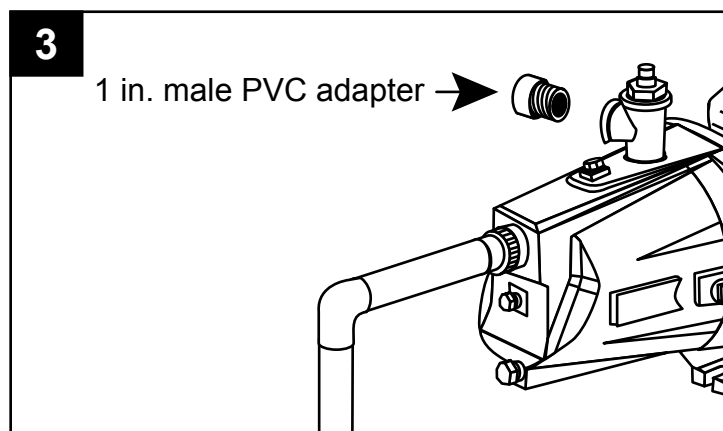
1. Wrap thread tape around threads of a 1 in. discharge tee (not included). Using a pipe wrench, thread the 1 in. discharge tee into the 1 in. opening in the top of pump.



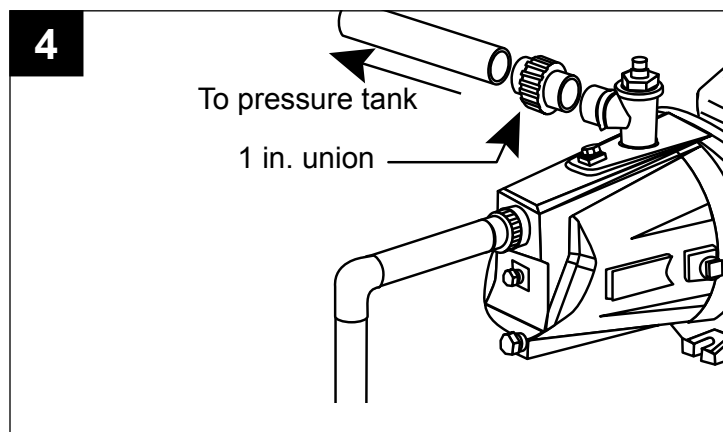
2. Install a 1 in. MPT x 1/4 in. FPT galvanized bushing and (optional) pressure gauge (both not included), or a pipe plug (not included). Do not tighten, as you will prime pump later at this location.



3. Wrap thread tape around the threads of a 1 in. male PVC adapter (not included) and thread the adapter into the discharge tee.

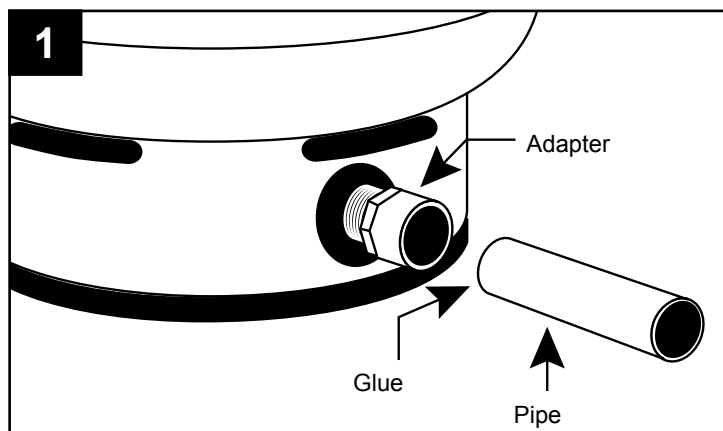


4. Continue with 1 in. fittings and pipe to the pressure tank. An optional 1 in. union (not included) is recommended for easy connection and disconnection.

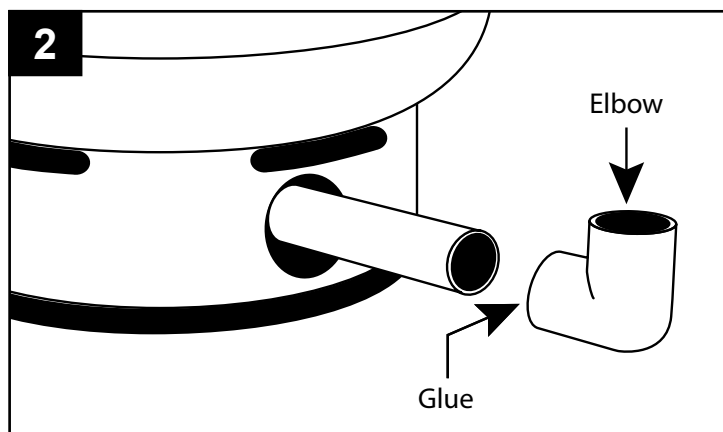


## TANK TO HOUSE CONNECTION

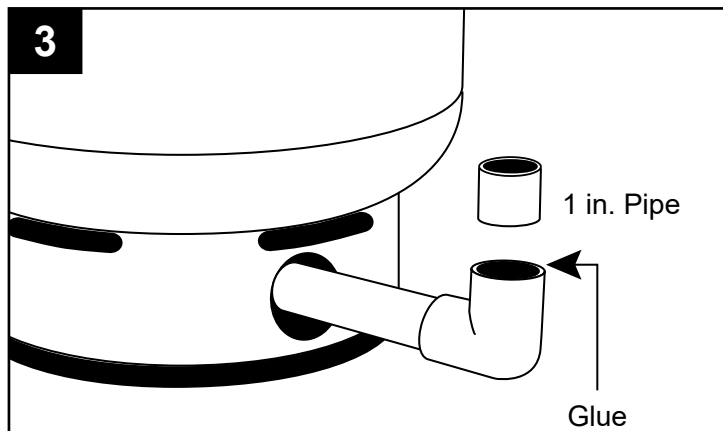
1. Most pressure tanks will have a 1 in. inlet elbow on the bottom. Connect to this elbow with a 1 in. MPT x 1 in. slip (glue) adapter and short piece of pipe.



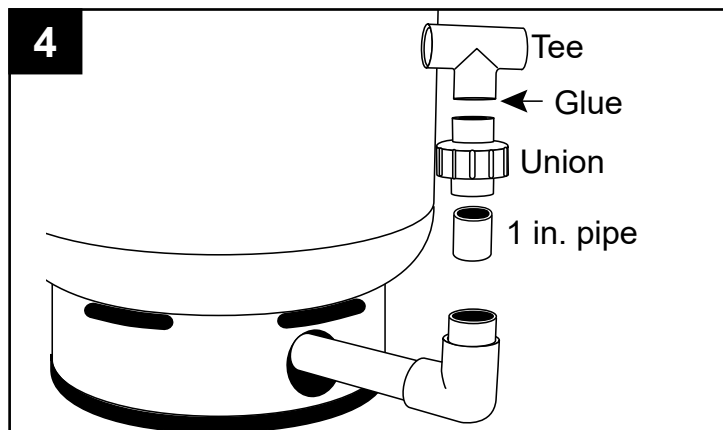
2. Attach a 1 in. elbow (not included) to the pipe.



3. Attach a 1 in. pipe (not included) to the elbow and a 1 in. x 3/4 in. reducer bushing (not included) to the pipe.

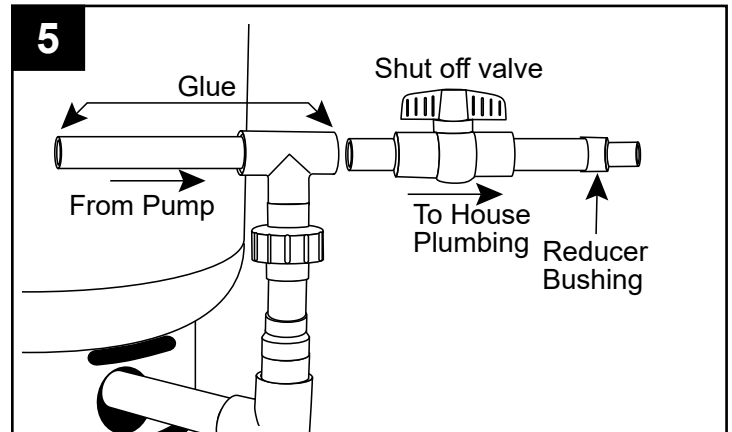


4. Attach a 3/4 in. pipe (not included) to the reducer bushing. Install an optional 3/4 in. union (not included) and continue with pipe and 3/4 in. x 3/4 in. tee (not included).

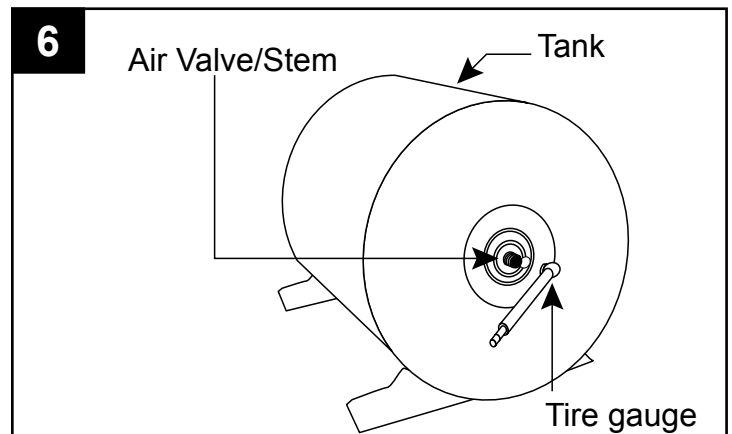


## TANK TO HOUSE CONNECTION

5. Attach the pipe from the pump to the tee installed in Step 4. Then, from the tee, install 3/4 in. pipe and optional shut off valve (not included) to connect tee to house plumbing.



6. **IMPORTANT:** Air pressure in the tank must be 2 PSI lower than the “cut-in” of the pressure switch. Pump has a 20/40 PSI pressure switch, so tank pressure must be set at 18 PSI. Locate the air valve/stem on the tank and check pressure with a tire gauge (not included). If air needs to be removed, press down on valve to bleed off air. Use a tire pump or air compressor to add air if needed.



## PUMP ELECTRICAL CONNECTIONS

### ⚠ WARNING:

- Always disconnect pump from electricity before performing any work on the motor.
- Under-sized wiring can cause motor failure and even fire. Use proper wire size specified in the Wire Size Chart.
- Replace damaged or worn wiring cord immediately.
- Do not kink power cable and never allow the cable to come in contact with oil, grease, hot surfaces, or chemicals.
- The pump must be properly grounded using the proper wire cable with ground.

### ⚠ CAUTION:

- Protect the power cable from coming in contact with sharp objects.
- All wiring should be performed by a qualified electrician in accordance with the National Electric Code and local electric codes.
- Connect the pump to a separate electrical circuit with a dedicated circuit breaker. Refer to the Wire Size Chart for proper fuse size.

| WIRE SIZE CHART                               |  |       |               |       |
|---|--|-------|---------------|-------|
| Distance from Motor to Meter                  | Recommended Copper Wire and Fuse Sizes |       |               |       |
|   | Single Phase Motors                    |       |               |       |
|   | 1/2 HP                                 |       | 3/4 HP & 1 HP |       |
|   | 115 V                                  | 230 V | 115 V         | 230 V |
| 0-50 Ft.                                      | 14                                     | 14    | 12            | 14    |
| 50-100 Ft.                                    | 12                                     | 14    | 10            | 14    |
| 100-150 Ft.                                   | 10                                     | 14    | 8             | 14    |
| 150-200 Ft.                                   | 8                                      | 14    | *             | 12    |
| 200-300 Ft.                                   | *                                      | 12    | *             | 10    |
| Fuse Size (Amps)                              | 15                                     | 15    | 30            | 15    |
| (*) Not economical to run in 115 V, use 230 V |  |       |               |       |

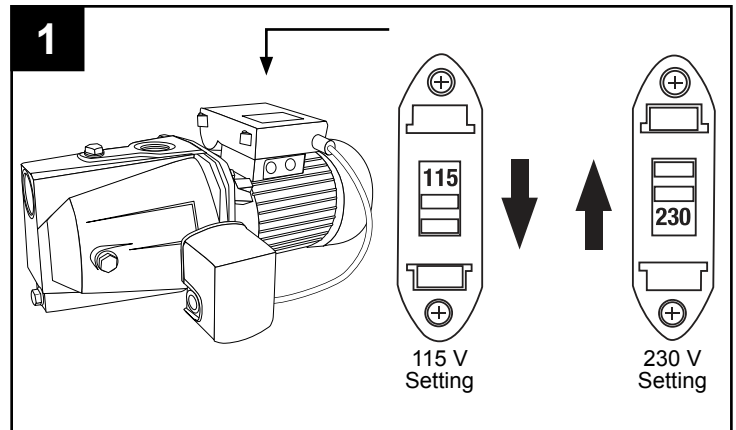
## PUMP ELECTRICAL CONNECTIONS

### Wiring the pressure switch

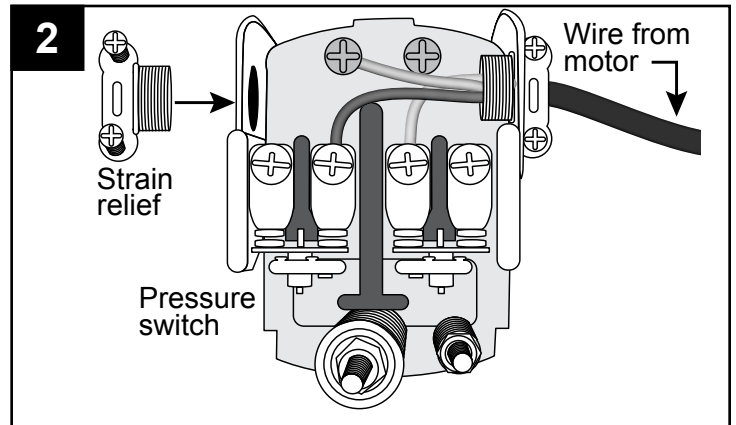
**CAUTION:** Make certain that the power source matches the pump requirements. This pump has a dual voltage motor and can run on either 115 V or 230 V.

**Pump is pre-set at the factory to run on 230 V.**

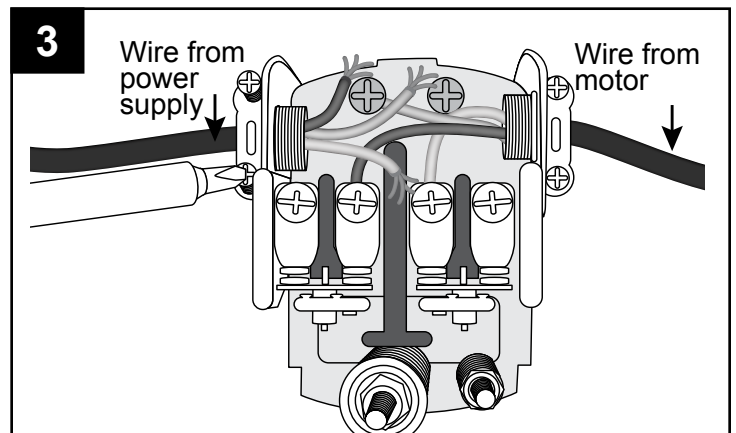
1. To change pump voltage, remove the square voltage switch cover at the top of pump and move the voltage switch as shown.



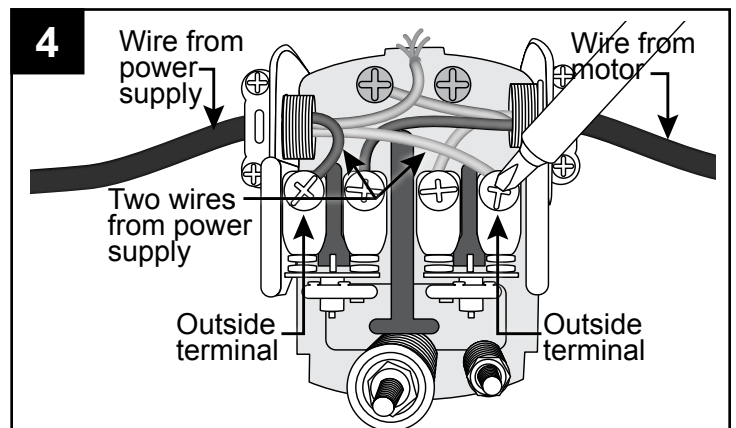
2. To connect the pressure switch, remove the switch cover and insert an electrical wire strain relief (not included) into the opening in the side of the pressure switch.



3. Thread the electrical wire (not included) from the power supply through the strain relief and tighten both screws on the strain relief. Do not crush wire.

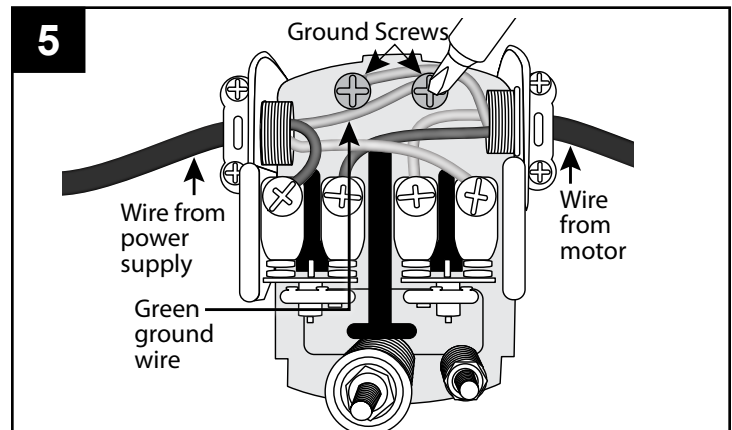


4. Connect the two wires from the power supply to the two outside terminals on the pressure switch.



## PUMP ELECTRICAL CONNECTIONS

5. Connect the green ground wire from the power supply to the remaining green ground screw in the pressure switch and re-attach the pressure switch cover.



## PUMP PRIMING AND STARTUP

### PRIMING

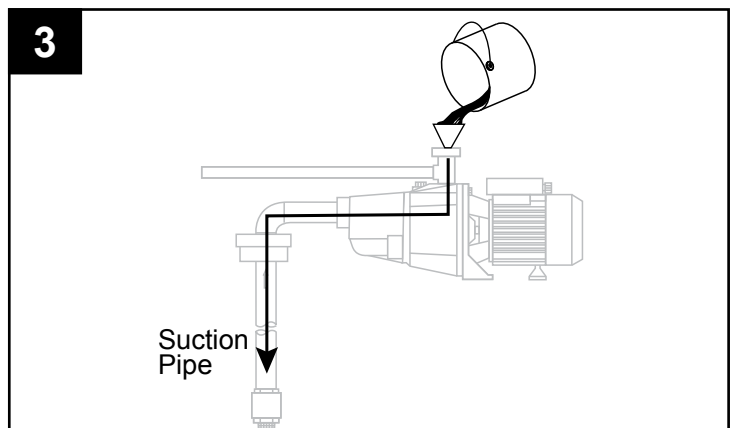
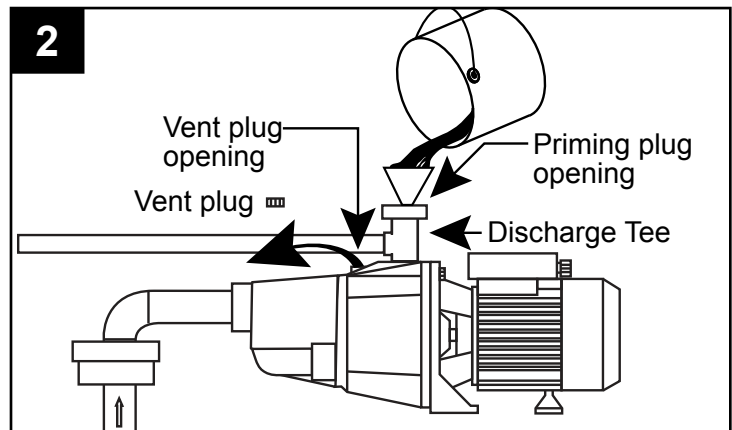
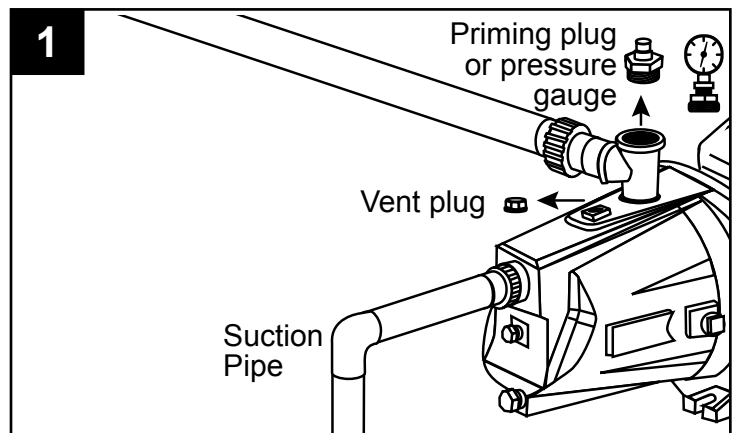
**⚠ CAUTION:** All pumps must be primed (filling the cavity with water) before they are first operated. This may take several gallons of water, as the suction pipe will be filled in addition to the cavity of pump.

1. Remove pipe plug or pressure gauge (not included) at the top of the discharge tee and the vent plug in front of the discharge tee.

2. Slowly fill the discharge tee with water until water overflows the vent plug opening. Replace the vent plug loosely.

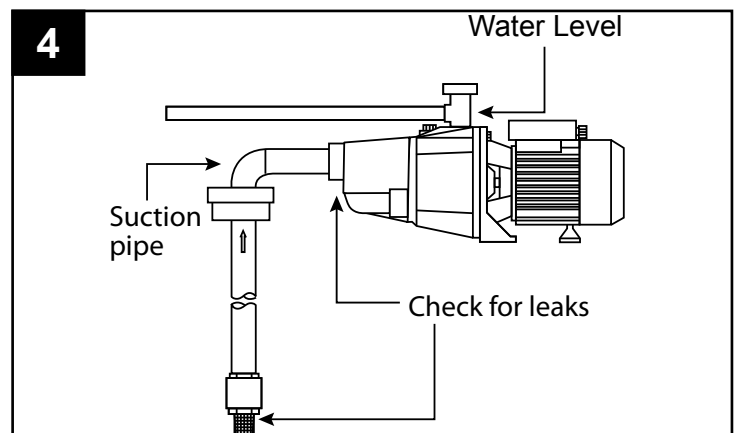
NOTE: It will take several minutes to fill pump and suction pipe completely.

3. Be sure entire suction pipe is filled when priming. Depending on the length of suction pipe, many gallons will be needed to fill the entire system.

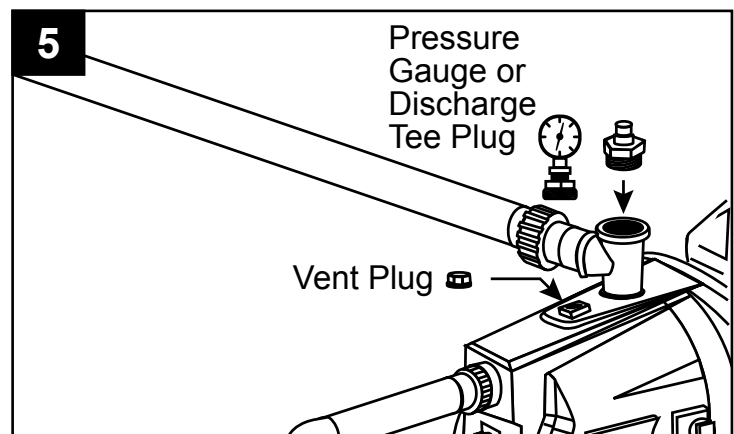


## PUMP PRIMING AND STARTUP

4. Check to be sure water in the cavity of pump stays constant. If water level goes down, it could indicate a leak in the foot valve, check valve or suction pipe.



5. Once pump is filled, wrap the pressure gauge or discharge tee plug and vent plug threads with thread tape and thread into pump. Tighten with wrench.



NOTE: Before turning on breaker, open several outlets or faucets to allow water flow during priming.

6. Turn on breaker to start pump.

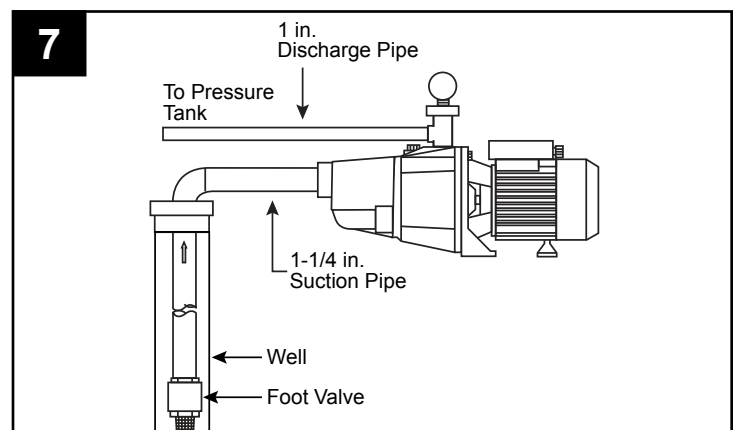
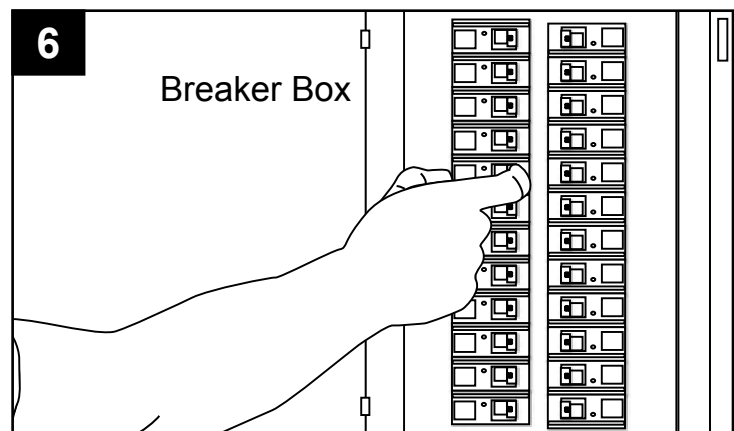
**⚠ IMPORTANT:** If the pump hums instead of pumping or turns off repeatedly, shut pump off immediately. Check voltage. Make sure your incoming voltage matches the pump wiring voltage. See PUMP ELECTRICAL CONNECTIONS.

**⚠ IMPORTANT:** If pump fails to prime within five minutes:

Turn power off at the breaker box and check all pipe connections for leaks. All connections must be water and air tight in order for pump to operate.

7. Check suction pipe for any sagging. Support suction pipe in a straight line to the pump.

**NOTE:** Look for leaks or a milky color in the discharged water, which indicates an air leak. Re-prime if necessary, following steps 1 through 6 above. Reset breaker at the breaker box. All connections must be water and air tight in order for pump to operate.

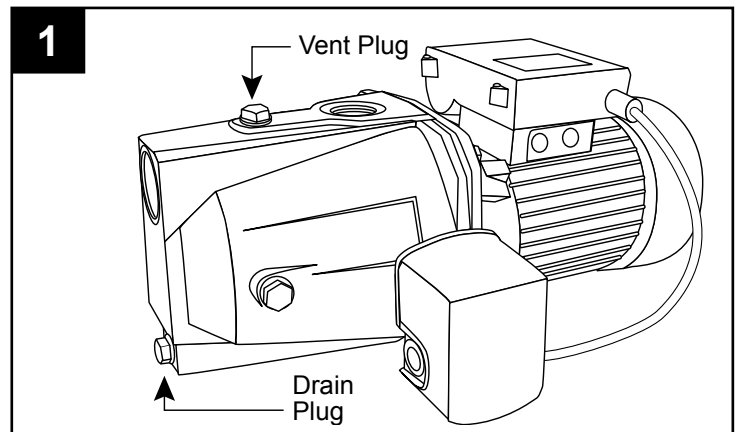


## CARE AND MAINTENANCE

### Winterizing

**⚠ CAUTION:** Drain the entire system if there is danger of freezing.

1. To drain pump, remove the drain plug located on the front of pump and the vent plug located on the top of pump.



## WARRANTY

This product is warranted for one year from the date of purchase or two years from the date of manufacture, whichever occurs first. Subject to the conditions hereinafter set forth, the manufacturer will repair or replace to the original consumer, any portion of the product which proves defective due to defective materials or workmanship. To obtain warranty service, contact the dealer from whom the product was purchased. The manufacturer retains the sole right and option to determine whether to repair or replace defective equipment, parts or components. Damage due to conditions beyond the control of the manufacturer is not covered by this warranty.

THIS WARRANTY WILL NOT APPLY: (a) To defects or malfunctions resulting from failure to properly install, operate or maintain the unit in accordance with printed instructions provided; (b) to failures resulting from abuse, accident or negligence or use of inappropriate chemicals or additives in the water; (c) to normal maintenance services and the parts used in connection with such service; (d) to units which are not installed in accordance with normal applicable local codes, ordinances and good trade practices; and (e) the unit is used for purposes other than for what it was designed and manufactured.

RETURN OF WARRANTED COMPONENTS: Any item to be repaired or replaced under this warranty must be returned to the manufacturer at Kendallville, Indiana or such other place as the manufacturer may designate, freight prepaid.

THE WARRANTY PROVIDED HEREIN IS IN LIEU OF ALL OTHER EXPRESS WARRANTIES, AND MAY NOT BE EXTENDED OR MODIFIED BY ANYONE. ANY IMPLIED WARRANTIES SHALL BE LIMITED TO THE PERIOD OF THE LIMITED WARRANTY AND THEREAFTER ALL SUCH IMPLIED WARRANTIES ARE DISCLAIMED AND EXCLUDED. THE MANUFACTURER SHALL NOT, UNDER ANY CIRCUMSTANCES, BE LIABLE FOR INCIDENTAL, CONSEQUENTIAL OR SPECIAL DAMAGES, SUCH AS, BUT NOT LIMITED TO DAMAGE TO, OR LOSS OF, OTHER PROPERTY OR EQUIPMENT, LOSS OF PROFITS, INCONVENIENCE, OR OTHER INCIDENTAL OR CONSEQUENTIAL DAMAGES OF ANY TYPE OR NATURE. THE LIABILITY OF THE MANUFACTURER SHALL NOT EXCEED THE PRICE OF THE PRODUCT UPON WHICH SUCH LIABILITY IS BASED.

This warranty gives you specific legal rights, and you may have other rights which vary from state to state. Some states do not allow limitations on duration of implied warranties or exclusion of incidental or consequential damages, so the above limitations may not apply to you.

FOR YOUR WARRANTY PROTECTION, THE WARRANTY REGISTRATION MUST BE COMPLETED AND RETURNED TO THE WARRANTY INFORMATION CENTER WITHIN TEN DAYS OF INSTALLATION.

**In those instances where damages are incurred as a result of an alleged pump failure, the Homeowner must retain possession of the pump for investigation purposes.**



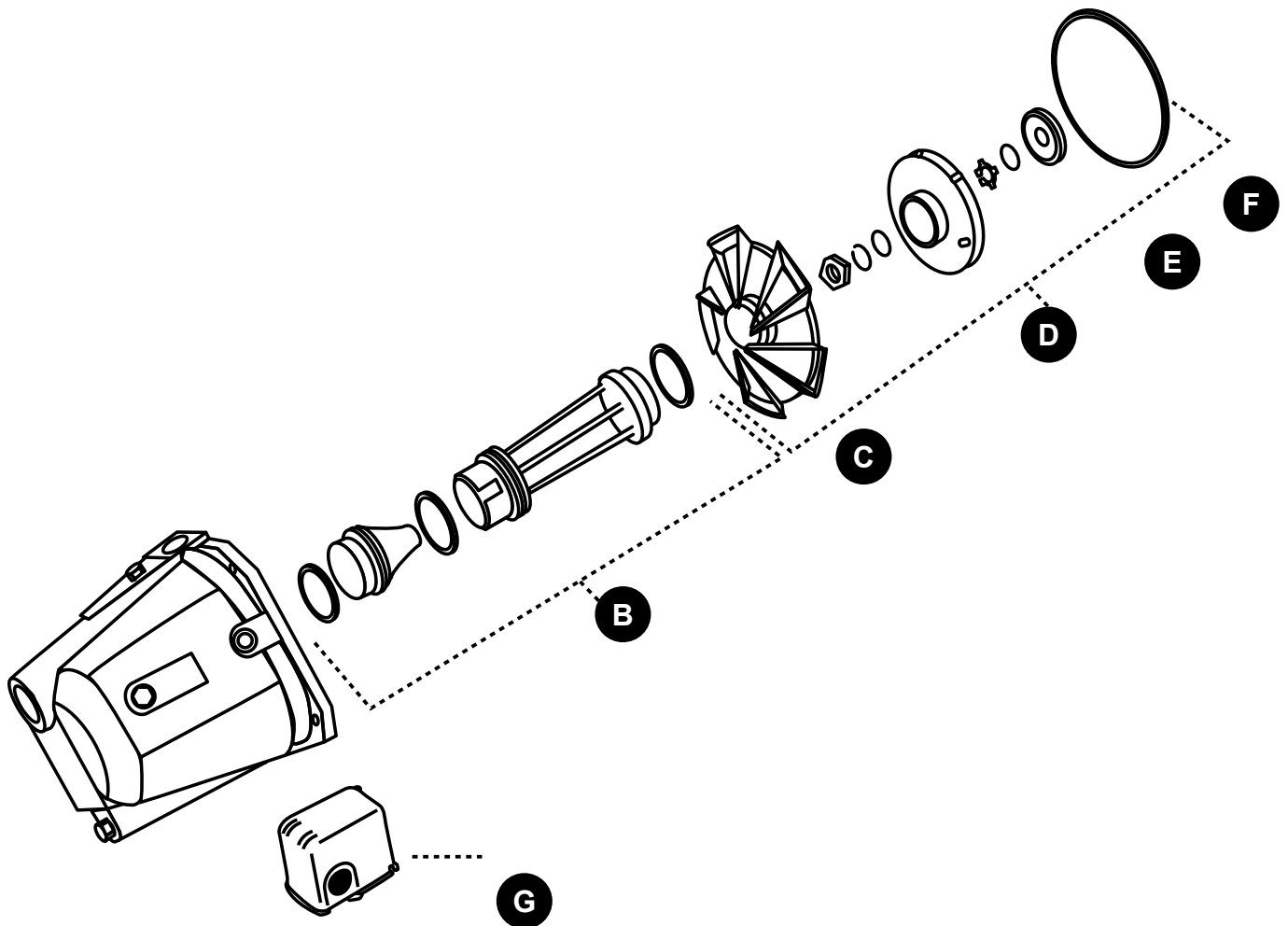
## TROUBLESHOOTING

| PROBLEM   | POSSIBLE CAUSE   | CORRECTIVE ACTION   |
|---|--|---|
| Little or no discharge                          | <ol style="list-style-type: none"> <li>1. Pump is not primed</li> <li>2. Suction lift too high or too long</li> <li>3. Hole or air leak in suction line</li> <li>4. Foot valve too small</li> <li>5. Foot valve or suction line not submerged deep enough in water</li> <li>6. Voltage switch incorrect</li> <li>7. Casing gasket leaking</li> </ol> | <ol style="list-style-type: none"> <li>1. Follow priming instructions (page 13)</li> <li>2. Move pump closer to water source. Lift should be less than 25 ft.</li> <li>3. Repair or replace. Use pipe tape and pipe sealing compound</li> <li>4. Match foot valve to piping or install one size larger foot valve</li> <li>5. Submerge lower in water</li> <li>6. Be sure 115 V or 230 V power supply matches voltage switch setting on pump</li> <li>7. Replace</li> </ol> |
| Pump will not deliver water or develop pressure | <ol style="list-style-type: none"> <li>1. Pump is not primed</li> <li>2. Leak in suction line</li> <li>3. Discharge line is closed and priming air has nowhere to go</li> <li>4. Foot valve is leaking</li> <li>5. Foot valve not submerged below water level</li> </ol>   | <ol style="list-style-type: none"> <li>1. Follow priming instructions (page 13)</li> <li>2. Repair or replace. Pipe dope all threads</li> <li>3. Open several outlets or faucets during priming procedure</li> <li>4. Replace foot valve</li> <li>5. Lower foot valve and reprime</li> </ol>  |
| Pump vibrates and/or makes excessive noise      | <ol style="list-style-type: none"> <li>1. Mounting plate or foundation not rigid enough</li> <li>2. Foreign material in pump</li> <li>3. Impeller damaged</li> </ol>   | <ol style="list-style-type: none"> <li>1. Reinforce</li> <li>2. Disassemble pump and clean</li> <li>3. Replace</li> </ol>   |
| Pump will not start or run                      | <ol style="list-style-type: none"> <li>1. Voltage switch incorrect</li> <li>2. Blown fuse or open circuit breaker</li> <li>3. Loose or broken wiring</li> <li>4. Stone or foreign object lodged in impeller</li> <li>5. Thermal overload has opened circuit</li> </ol>   | <ol style="list-style-type: none"> <li>1. Be sure 115 V or 230 V power supply matches voltage switch setting on motor</li> <li>2. Replace fuse or close circuit breaker</li> <li>3. Tighten connections, replace broken wiring</li> <li>4. Disassemble pump and remove foreign object</li> <li>5. Allow unit to cool, restart after reason for overload has been determined</li> </ol>  |

## REPLACEMENT PARTS LIST

For replacement parts, call our customer service department at 1-800-742-5044,  
7:30 a.m. - 5 p.m., EST, Monday - Friday.

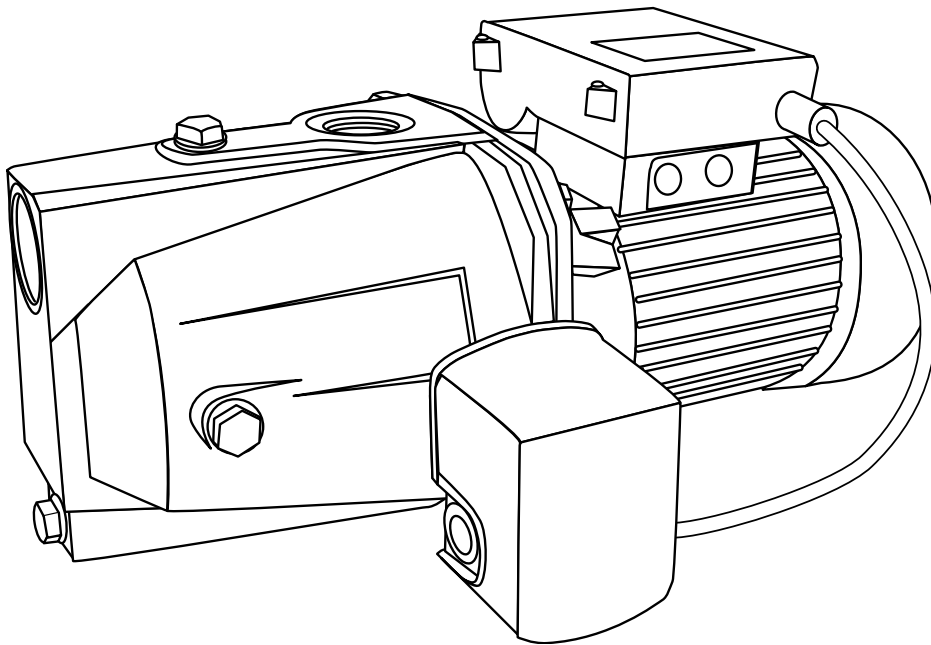
| PART | DESCRIPTION                    | PART NO. |
|------|--------------------------------|----------|
| B    | O-rings / Nozzle / Venturi Kit | 023735   |
| C    | Diffuser                       | 023707   |
| D    | Impeller (1/2 HP Model)        | 023709   |
| D    | Impeller (3/4 HP Model & 1 HP) | 023711   |
| E    | Mechanical Seal                | 023720   |
| F    | O-Ring                         | 023721   |
| G    | Pressure Switch                | 023722   |





# BOMBA DE CHORRO DE POZO DE POCA PROFUNDIDAD

ARTÍCULO SJ05S 1/2 HP, SJ07S 3/4 HP, SJ10S 1 HP



**ADJUNTE SU RECIBO AQUÍ**

**Número de serie** \_\_\_\_\_ **Fecha de compra** \_\_\_\_\_

FW1626S D

# ÍNDICE

|  |    |
|--|----|
| Especificaciones del producto .....      | 20 |
| Información de seguridad .....           | 20 |
| Contenido del paquete .....              | 22 |
| Preparación .....                        | 22 |
| Información general de la bomba .....    | 23 |
| Conexión desde el pozo a la bomba .....  | 24 |
| Revise la presión del tanque .....       | 27 |
| Conexión desde la bomba al tanque .....  | 28 |
| Conexión desde el tanque a la casa ..... | 29 |
| Conexiones eléctricas de la bomba.....   | 30 |
| Cebado y arranque de la bomba .....      | 32 |
| Cuidado y mantenimiento .....            | 34 |
| Garantía.....                            | 34 |
| Solución de problemas .....              | 35 |
| Piezas de repuesto.....                  | 36 |

## ESPECIFICACIONES DEL PRODUCTO

|  |   |
|--|---|
| Suministro de electricidad necesario.....                                  | 115 voltios o 230 voltios, 60 Hz  |
| <b>(La bomba está configurada de fábrica para funcionar a 230 voltios)</b> |   |
| Temperatura máxima del agua.....   | 25°C (77°F)   |
| Circuito de derivación individual necesario .....                          | 15 amperios mínimo  |
| Conexión de descarga.....  | NPT de 1 pulg   |
| Conexión de succión .....  | NPT de 1 ¼ pulg   |
| Trabajo del motor .....  | Trabajo continuo con enfriamiento por aire reforzado y protección contra sobrecargas térmicas |
| Interruptor de presión .....   | Preconfigurado a 20 PSI para “encendido” / 40 PSI para “apagado”                              |
| Clasificación de profundidad del agua.....                                 | 7,62 m máximo   |

| ARTÍCULO # | HP  | VOLTAJE | HZ | AMPERIOS | CAPACIDAD: LITROS POR MINUTO<br>CON UNA DESCARGA DE 20 PSI |        |        |
|------------|-----|---------|----|----------|--|--------|--------|
|            |     |         |    |          | 1,52 M   | 4,57 M | 7,62 M |
| SJ05S      | 1/2 | 115/230 | 60 | 7.8/3.6  | 35,96  | 24,61  | 13,25  |
| SJ07S      | 3/4 | 115/230 | 60 | 11.0/5.6 | 46,18  | 32,55  | 18,55  |
| SJ10S      | 1   | 115/230 | 60 | 11.0/5.6 | 64,4   | 49,2   | 26,5   |

## INFORMACIÓN DE SEGURIDAD

Lea y comprenda completamente este manual antes de intentar ensamblar, usar o instalar el producto.

## **PELIGRO**



### **PELIGRO DE DESCARGA ELÉCTRICA.**

Siempre desconecte la fuente de alimentación antes de llevar a cabo cualquier trabajo en el motor o cerca de este o en su carga conectada. Si el punto de desconexión de la alimentación está fuera de la vista, fíjelo en la posición abierta y etiquételo para evitar una aplicación de alimentación inesperada. El incumplimiento de dicho paso podría provocar una descarga eléctrica fatal.

### **PELIGRO DE DESCARGA ELÉCTRICA.**

No manipule la bomba con las manos húmedas ni cuando esté parado en el agua, ya que podría ocurrir una descarga eléctrica fatal. **SIN IMPORTAR EL MOTIVO**, desconecte la alimentación principal antes de manipular la unidad.

### **RIESGO DE DESCARGA ELÉCTRICA.**

No se ha verificado el uso de estas bombas en piscinas.

## **ADVERTENCIA**



### **ALERTA DE DESCARGA ELÉCTRICA.**

Siga todos los códigos locales eléctricos y de seguridad, además del Código nacional de electricidad (NEC, por sus siglas en inglés) y la ley de la Administración de Salud y Seguridad Ocupacional (OSHA, por sus siglas en inglés).

### **ALERTA DE DESCARGA ELÉCTRICA.**

Reemplace inmediatamente los cables dañados o desgastados. Nunca utilice una extensión eléctrica.

### **ALERTA DE DESCARGA ELÉCTRICA.**

No pliegue el cable de alimentación ni permita que entre en contacto con aceite, grasa, superficies calientes ni sustancias químicas.

### **ALERTA DE DESCARGA ELÉCTRICA.**

Conecte el motor al voltaje de alimentación correcto: Consulte la placa de datos y los diagramas de cableado del motor y revise el voltaje del suministro de electricidad.

### **ALERTA DE DESCARGA ELÉCTRICA.**

La unidad debe contar con una puesta eléctrica a tierra segura y apropiada. Esto se puede lograr conectando el cableado de la unidad a un sistema de canaletas con revestimiento metálico y puesta a tierra o usando un conductor de tierra separado conectado al metal sin revestir de la estructura del motor u otros medios adecuados.

### **ALERTA DE DESCARGA ELÉCTRICA.**

No desensamble la carcasa del motor. Esta bomba no tiene piezas internas reparables y al desensamblarla puede causar una fuga o peligrosos problemas de cableado eléctrico.

### **ALERTA DE DESCARGA ELÉCTRICA.**

Asegúrese de que la fuente de alimentación eléctrica sea adecuada para los requisitos de la bomba.

### **ALERTA DE DESCARGA ELÉCTRICA.**

**NUNCA UTILICE UNA EXTENSIÓN ELÉCTRICA CON ESTA BOMBA.**

### **ALERTA DE PRODUCTO QUÍMICO.**

Este producto contiene sustancias químicas reconocidas por el estado de California como causantes de cáncer y defectos congénitos u otros daños en el aparato reproductivo.

### **ALERTA DE PRESIÓN PELIGROSA.**

Instale la válvula de descarga de presión en la tubería de descarga. Libere toda la presión en el sistema antes de trabajar en cualquier componente.

### **ALERTA DE EXPLOSIÓN**

No la use para bombear líquidos inflamables o explosivos como gasolina, combustible, aceite, queroseno, etc. No la utilice en atmósferas inflamables o explosivas.

# PRECAUCIÓN

**PUEDE PROVOCAR DAÑO AL PRODUCTO**

Esta bomba no debe utilizarse en sistemas de irrigación o de riego.

**PUEDE PROVOCAR DAÑO AL PRODUCTO**

Proteja el cable de alimentación del contacto con objetos afilados.

**PUEDE PROVOCAR DAÑO AL PRODUCTO**

No haga funcionar la bomba en seco.

**PUEDE PROVOCAR DAÑO AL PRODUCTO**

La bomba y la plomería deben estar llenas de agua antes de su arranque.

**PUEDE PROVOCAR DAÑO AL PRODUCTO**

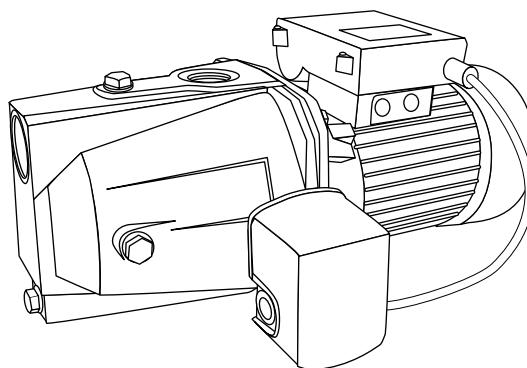
No bombee agua que contenga arena, lodo, sedimentos o desechos.

**PODRÍA PROVOCAR LESIONES**

Tenga cuidado al tocar el exterior de un motor en funcionamiento. Podría estar lo suficientemente caliente como para causar dolor o una lesión.

## CONTENIDO DEL PAQUETE

| DESCRIPCIÓN | CANTIDAD |
|-------------|----------|
| Bomba       | 1        |



## PREPARACIÓN

Antes de comenzar a instalar el producto, asegúrese de tener todas las piezas. No intente ensamblar el producto si falta alguna pieza o si estas están dañadas. Compare las piezas con la lista del contenido del paquete.

**Tiempo estimado de instalación: 2 horas.**

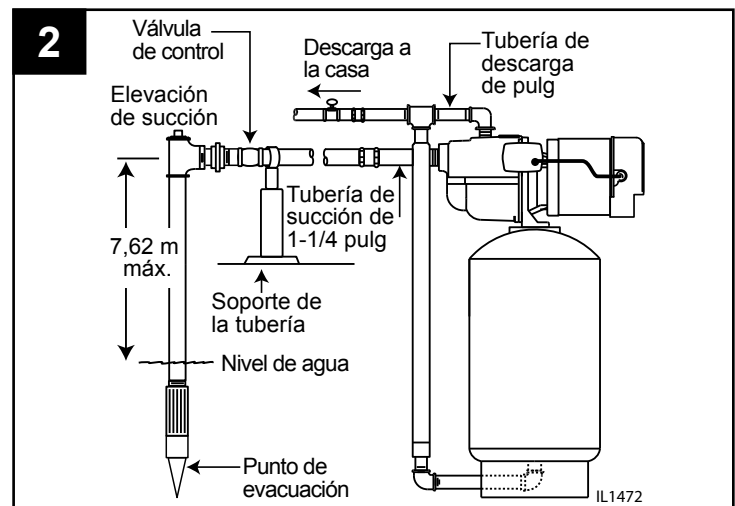
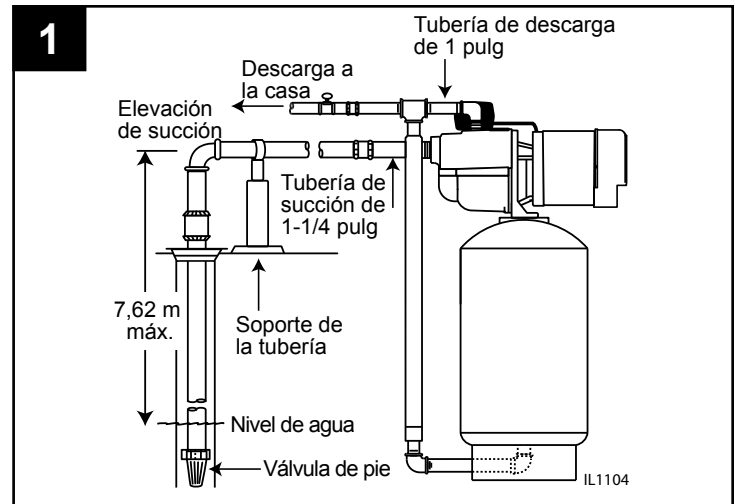
Herramientas necesarias para instalaciones nuevas (no se incluyen): Llave para tuberías, pinzas, destornillador Phillips, abrazadera para tuberías, sistema de adhesivo PVC de 2 pasos (base y sellador), cinta para roscas, indicador para neumáticos

Piezas necesarias para instalaciones nuevas (no se incluyen): Sello para pozo, adaptador macho de PVC de 1-1/4 pulg (2), adaptador macho de PVC de 1 pulg, válvula de pie de 1-1/4 pulg, tubo de PVC y acopladores de 1-1/4 pulg, tubo de PVC y acopladores de 1 pulg, codo de PVC de 1-1/4 pulg, T de descarga de 1 pulg, conector galvanizado, indicador de presión (opcional) o tapón para tubería, unión de 1-1/4 pulg (opcional), unión de 1 pulg (opcional), cable eléctrico, aliviador de tensión para cable eléctrico, válvula de cierre (opcional)

**¡Para uso con un tanque de presión. No use para aplicaciones de riego!**

## Configuración típica de la bomba

1. Las bombas de chorro para pozos poco profundos están diseñadas donde la elevación de succión sea de 7,62 m o menos. Pueden usarse en pozos perforados o cementados.
2. Las bombas de chorro también pueden usarse en pozos excavados, pozos de hinca o con cisternas o lagos.



**Ventilación:** Se debe proporcionar ventilación y drenaje para evitar daños al motor producto de la humedad y el calor.

**Congelamiento:** La bomba/tanque y todas las tuberías deben estar protegidas de las temperaturas bajas. Si se pronostica clima muy frío, drene la bomba o retírela por completo del sistema.

**Suministro de agua:** El suministro de agua debe tener la capacidad de suministrar agua suficiente para satisfacer la capacidad de la bomba/tanque y las necesidades de agua. Consulte la tabla de rendimiento en la página 2.

**Elevación de succión:** La elevación de succión es la distancia vertical desde el nivel más bajo de agua hasta la entrada de la bomba/tanque. La bomba/tanque moverá el agua siempre y cuando se encuentre a 7,62 m verticales del suministro de agua.

**Distancia horizontal:** La distancia horizontal es la medida horizontal entre la succión de la bomba/tanque y el suministro de agua. La distancia puede afectar la capacidad de funcionamiento de la bomba/tanque. Si la distancia es mayor a 30,48 m, llame al fabricante para obtener ayuda: 1-800-742-5044.

## INFORMACIÓN GENERAL DE LA BOMBA

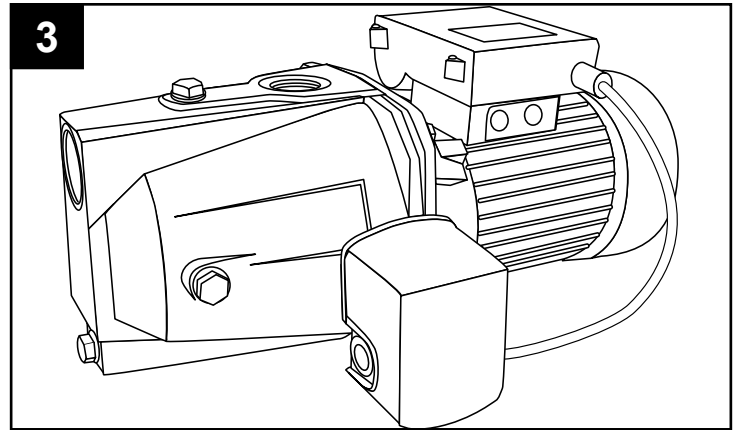
### Tuberías y conectores

- Use tubería y accesorios de acero galvanizado o de PVC cédula 40 NSF PW. Este material está diseñado para funcionar con la presión del agua y sellará contra aire y agua bajo presión. No use conectores para drenaje, ya que estos están diseñados para drenajes sin presión y no brindarán un sello apropiado.

**⚠ PRECAUCIÓN:** Todo el sistema debe ser impermeable al aire y al agua para mantener el cebado y un funcionamiento eficiente.

### Tamaño del cable:

El tamaño del cable se determina según la distancia desde la fuente de alimentación al motor de la bomba y la clasificación de caballos de fuerza del motor. Consulte la tabla de cables en la página 11 para ver los tamaños correctos.



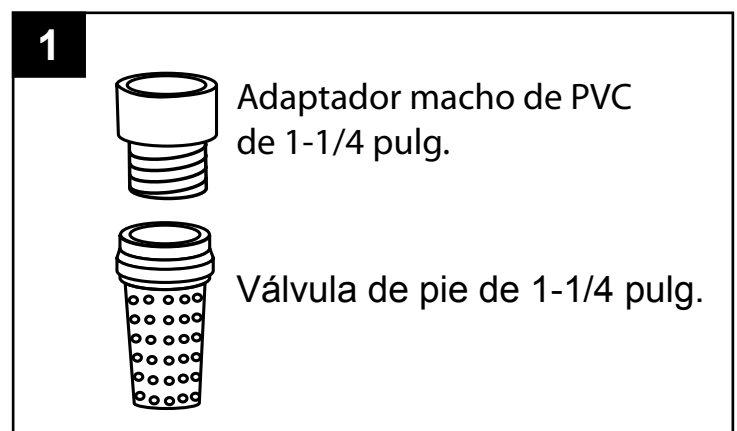
## CONEXIÓN DESDE EL POZO HACIA LA BOMBA (TUBERÍA DE SUCCIÓN)

**⚠ PRECAUCIÓN:** Ajuste completamente el ensamble para asegurarse de obtener un ajuste adecuado antes de unir las piezas definitivamente.

**⚠ PRECAUCIÓN:** Siga todos los procedimientos adecuados para unir como lo especifica el fabricante de adhesivo. Siempre que sea posible coloque el adhesivo en dirección vertical para evitar que gotee dentro de la tubería o los conectores.

**⚠ PRECAUCIÓN:** Use cinta para tuberías y compuesto en pasta para tuberías en todas las roscas macho. Apriete con la llave hasta que quede ajustado y gire otro cuarto de vuelta para asegurar un sellado adecuado.

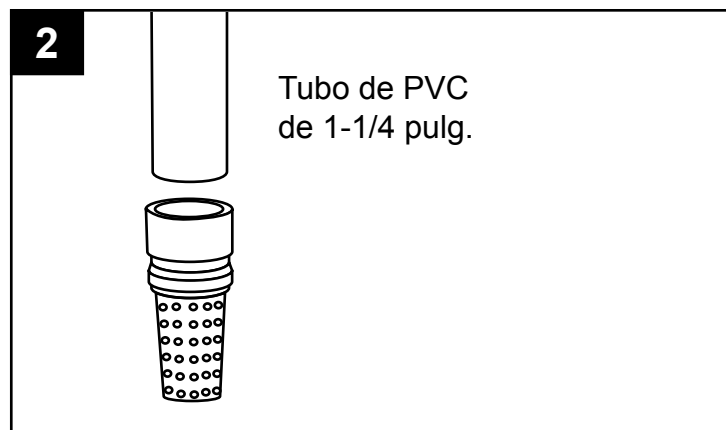
- Enrosque el adaptador macho de PVC de 1-1/4 pulg (no se incluye) en una válvula de pie de 1-1/4 pulg (no se incluye). Apriete a mano y luego apriete medio giro con una llave para tuberías.



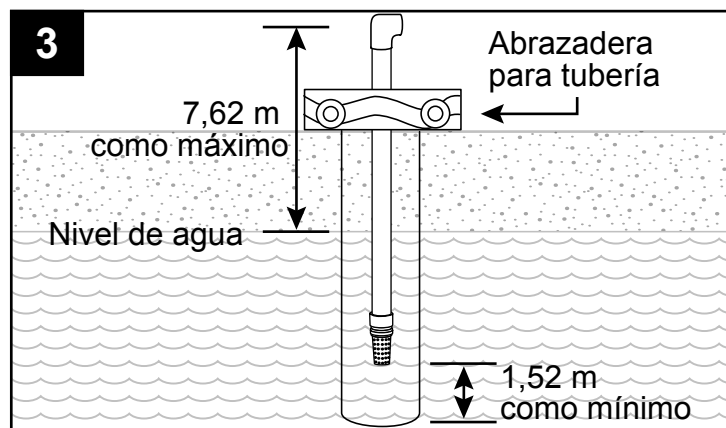


## CONEXIÓN DESDE EL POZO HACIA LA BOMBA (TUBERÍA DE SUCCIÓN)

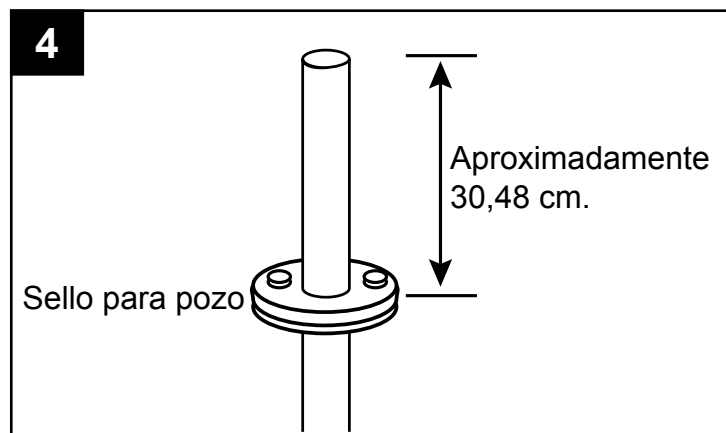
2. Usando un sistema de PVC de 2 pasos (no se incluye), fije un tubo de PVC y acopladores de 1 ¼ pulg (no se incluyen) al adaptador para igualar la profundidad del pozo, menos 1,52 m.



3. Antes de deslizar el ensamble del tubo en el pozo, fije con firmeza el ensamble con una abrazadera para tubería (no se incluye) para evitar que el ensamble caiga al pozo.

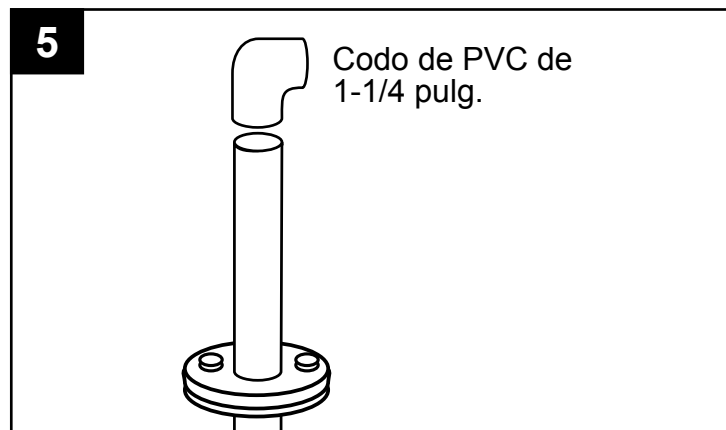


4. Retire la abrazadera para tubería y deslice el sello para pozo (no se incluye) sobre el tubo de PVC y el entubado del pozo. El tubo de PVC debe extenderse aproximadamente 30,48 cm por sobre la parte superior del sello para pozo, según la altura de la bomba.



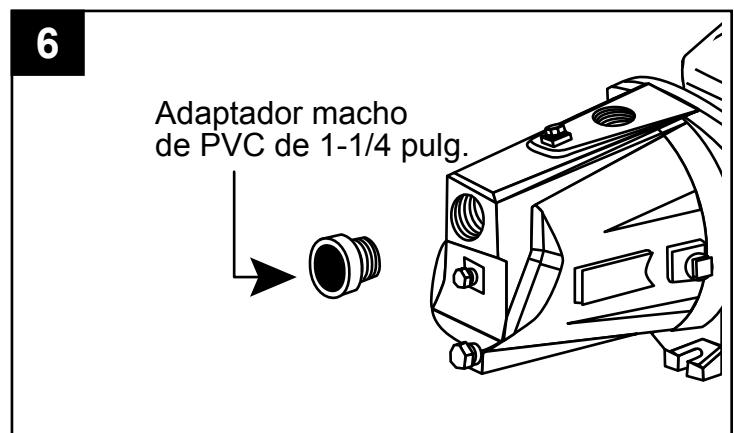
NOTA: Evite que el ensamble caiga dentro del pozo. Apriete el sello del pozo hasta que las empaquetaduras de goma estén firmes en el entubado del pozo y en el tubo de PVC.

5. Usando un sistema de PVC de 2 pasos, fije un codo de PVC de 1-1/4 pulg (no se incluye) en el tubo de PVC rígido que se extiende desde el sello para pozo.

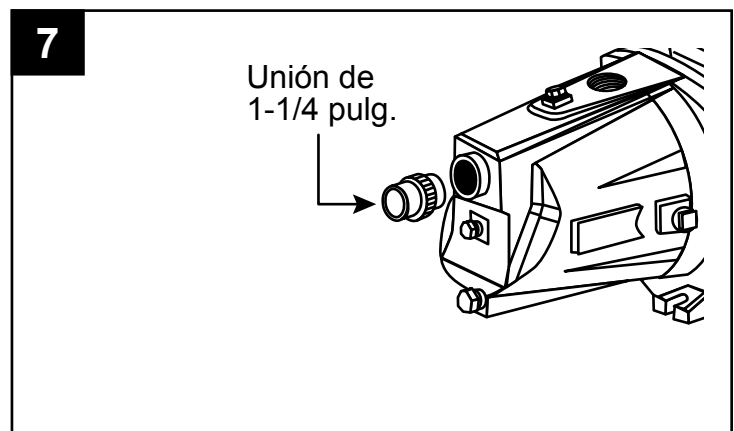


## CONEXIÓN DESDE EL POZO HACIA LA BOMBA (TUBERÍA DE SUCCIÓN)

6. Aplique cinta para roscas (no se incluye) alrededor de las roscas de un adaptador macho de PVC de 1-1/4 pulg (no se incluye). Enrosque el adaptador en la abertura de 1-1/4 pulg en la parte frontal de la bomba/tanque.

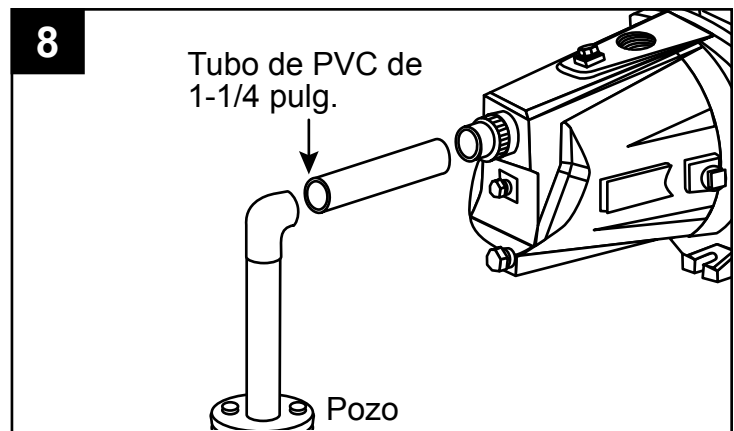


7. Se recomienda usar una unión de 1-1/4 pulg (no se incluye) para facilitar la conexión y la desconexión.



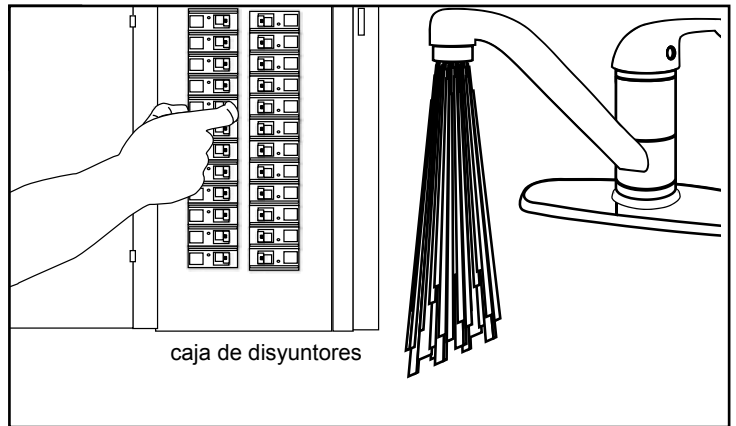
8. Usando un sistema de PVC de 2 pasos, fije una tubo de PVC y acopladores de 1-1/4 pulg según sea necesario para conectar el adaptador macho de PVC de 1-1/4 pulg al codo de PVC de 1-1/4 pulg instalado en la parte superior de la tubería del pozo en el Paso 6.

NOTA: Asegúrese de que la tubería se incline levemente desde la bomba/tanque hacia el pozo para evitar bolsas de aire.

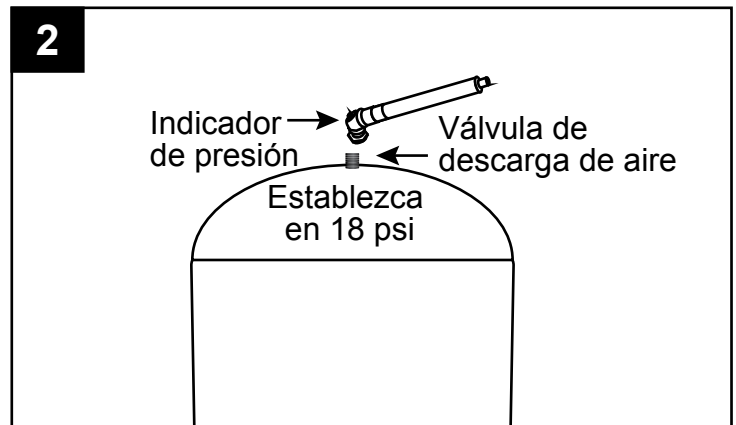


## REVISE LA PRESIÓN DEL TANQUE

1. Drene toda el agua del tanque apagando la bomba y abriendo un grifo hasta que el agua se detenga.

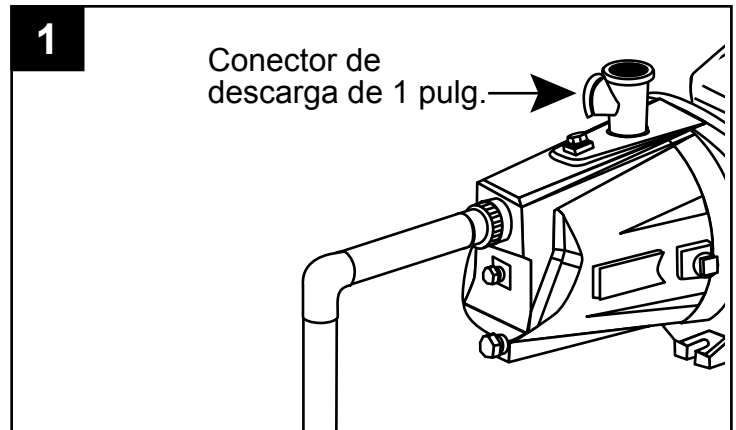


2. Use un indicador de presión para asegurarse de que esté en 18 psi.
  - a. Use una bomba para neumáticos para ajustar los psi en 18 psi.
  - b. Si el agua se filtra por la válvula de descarga de aire, reemplace el tanque de presión.

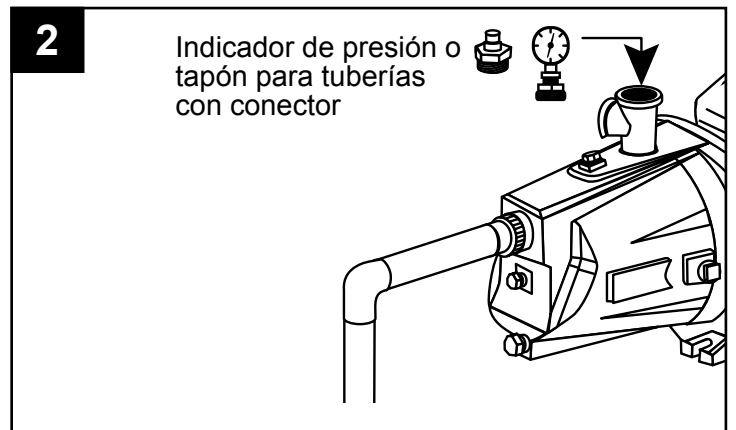


## CONEXIÓN DESDE LA BOMBA AL TANQUE (TUBO DE DESCARGA)

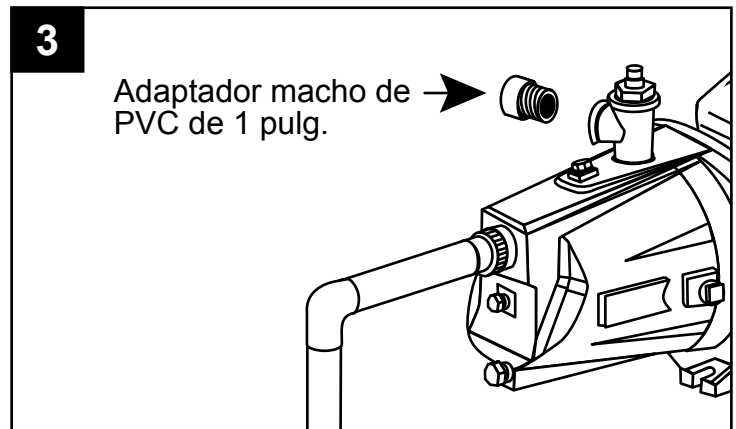
1. Aplique cinta para roscas (no se incluye) alrededor de las roscas de un adaptador macho de PVC de 1-1/4 pulg (no se incluye). Enrosque el adaptador en la abertura de 1-1/4 en la parte frontal de la bomba.



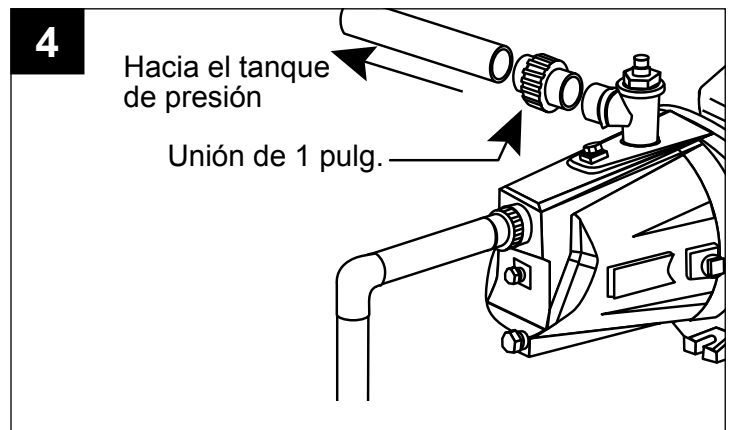
2. Instale un conector galvanizado de 1 pulg MPT x 1/4 pulg FPT y un indicador de presión (opcional) (no se incluyen) o un tapón para tuberías (no se incluye). No apriete ahora, ya que después tendrá que cebar la bomba en este lugar.



3. Enrolle cinta para roscas alrededor de las roscas de un adaptador macho de PVC de 1 pulg (no se incluye) y enrosque el adaptador en el conector de descarga.

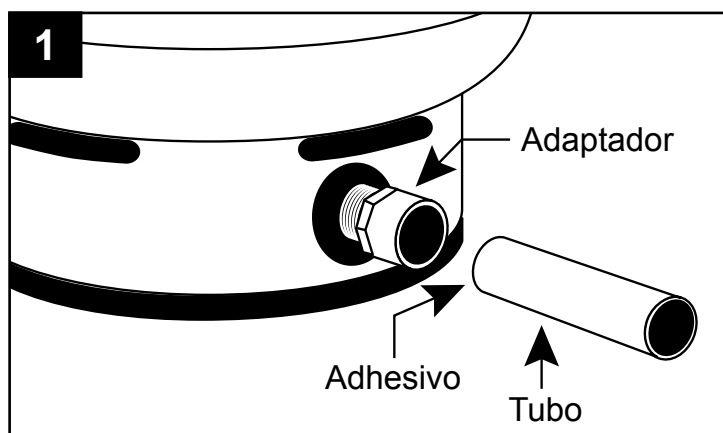


4. Continúe con los adaptadores y el tubo de 1 pulg del tanque de presión. Se recomienda usar una unión de 1 pulg opcional (no se incluye) para facilitar la conexión y la desconexión.

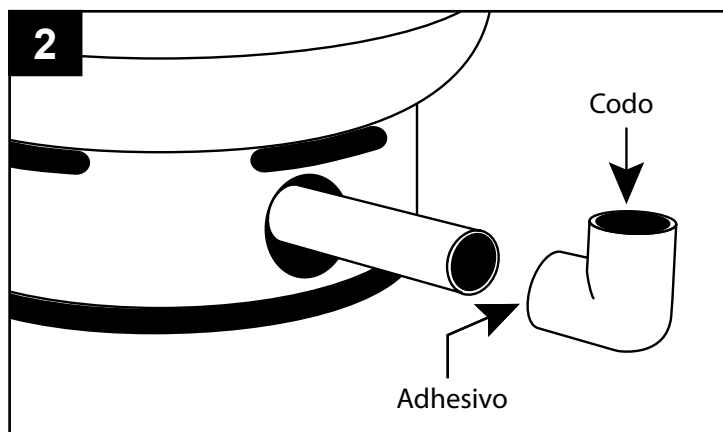


## CONEXIÓN DESDE EL TANQUE A LA CASA

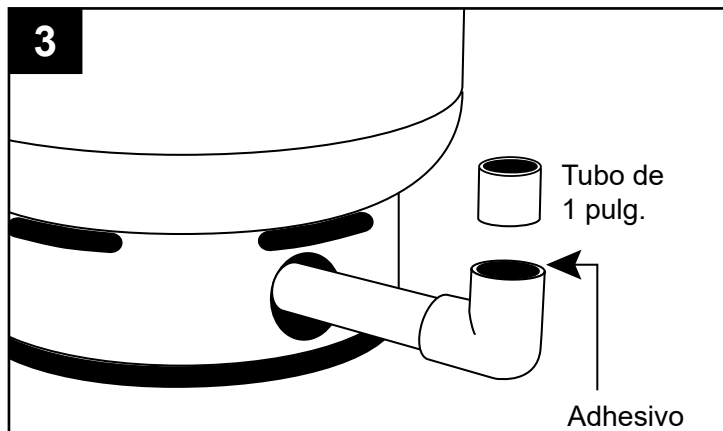
1. La mayoría de los tanques de presión cuentan con un codo de entrada de 1 pulg en la parte inferior. Conecte este codo con un adaptador deslizante (adhesivo) de 1 pulg MPT x 1 pulg y la pieza corta del tubo.



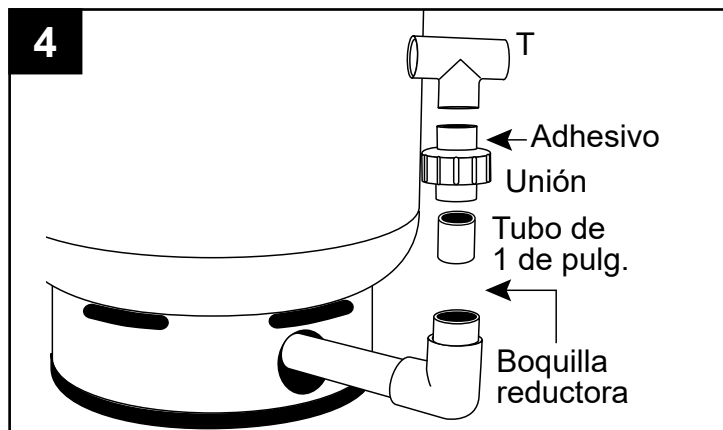
2. Fije un codo de 1 pulg (no se incluye) al tubo.



3. Fije un tubo de 1 pulg (no se incluye) al codo y una boquilla reductora de 1 pulg x 3/4 de pulg (no se incluye) al tubo.

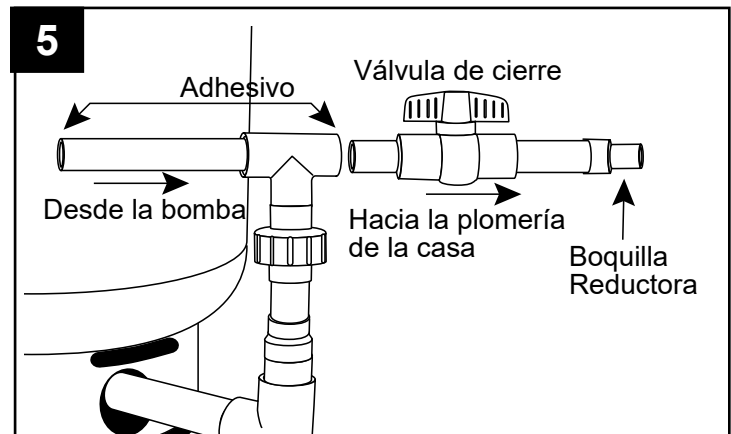


4. Conecte el tubo de 3/4 de pulg (no se incluyen) a la boquilla reductora. Instale una unión opcional de 3/4 de pulg (no se incluye) y continúe con el tubo y una T de 3/4 de pulg x 3/4 de pulg (no se incluye).

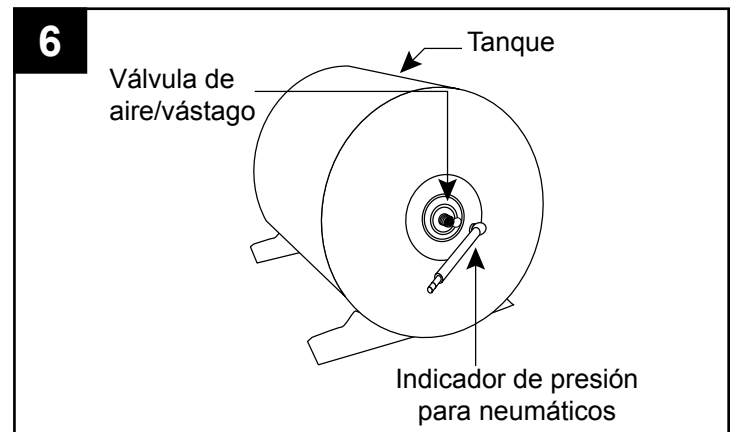


## CONEXIÓN DESDE EL TANQUE A LA CASA

5. Instale el tubo de la bomba al conector instalado en el Paso 4. Luego, desde el conector, instale un tubo de 3/4 pulg y una válvula de cierre opcional (no se incluye) para conectar el conector en T a la plomería de la casa.



6. **IMPORTANTE:** La presión de aire en el tanque debe ser 2 PSI menor que la “presión de activación” del interruptor de presión. La bomba tiene un interruptor de presión de 20/40 PSI, por lo que la presión del tanque debe ser de 18 PSI. Busque la válvula de aire/vástago del tanque y compruebe la presión con un indicador de presión para neumáticos (no se incluye). Si necesita extraer aire, presione la válvula hacia abajo para liberar aire. De ser necesario, utilice una bomba para neumáticos o una compresora de aire para agregar aire.



## CONEXIONES ELÉCTRICAS DE LA BOMBA.

### ⚠ ADVERTENCIA:

- Siempre desconecte la bomba de la fuente de energía antes de llevar a cabo cualquier trabajo en el motor.
- Un cableado de tamaño menor puede causar fallas en el motor e incluso incendios. Use el tamaño adecuado de cable especificado en la tabla correspondiente.
- Reemplace inmediatamente los cables dañados o desgastados.
- No pliegue el cable de alimentación ni permita que entre en contacto con aceite, grasa, superficies calientes ni sustancias químicas.
- La bomba debe tener una puesta a tierra adecuada con la ayuda del cable con conexión a tierra correcto.

### ⚠ PRECAUCIÓN:

- Proteja el cable de alimentación del contacto con objetos afilados.
- Todo el cableado debe ser realizado por un electricista calificado de acuerdo con el Código nacional de electricidad y los códigos locales de electricidad.
- Conecte la bomba a un circuito eléctrico separado con un interruptor de circuito dedicado. Consulte la tabla de tamaños para conocer el tamaño de fusible adecuado.

| TABLA DE TAMAÑOS DE CABLES          |  |             |               |             |
|-------------------------------------|--|-------------|---------------|-------------|
| Distancia desde el motor al medidor | Tamaños de cables de cobre y fusibles recomendados |             |               |             |
|                                     | Motores de fase única                              |             |               |             |
|                                     | 1/2 HP   |             | 3/4 HP & 1 HP |             |
|                                     | 115 voltios  | 230 voltios | 115 voltios   | 230 voltios |
| 0 a 15,24 m                         | 14   | 14          | 14            | 14          |
| 15,24 a 30,48 m                     | 12   | 14          | 12            | 14          |
| 30,48 a 45,72 m                     | 12   | 14          | 10            | 14          |
| 45,72 a 60,96 m                     | 12   | 14          | 10            | 12          |
| 60,96 m a 91,44 m                   | 10   | 12          | 8             | 10          |
| Tamaño del fusible (amperios)       | 15   | 15          | 15            | 15          |

(\* No es rentable para funcionar en 115 vatios, use 230 vatios)

# CONEXIONES ELÉCTRICAS DE LA BOMBA.

## Cableado del interruptor de presión

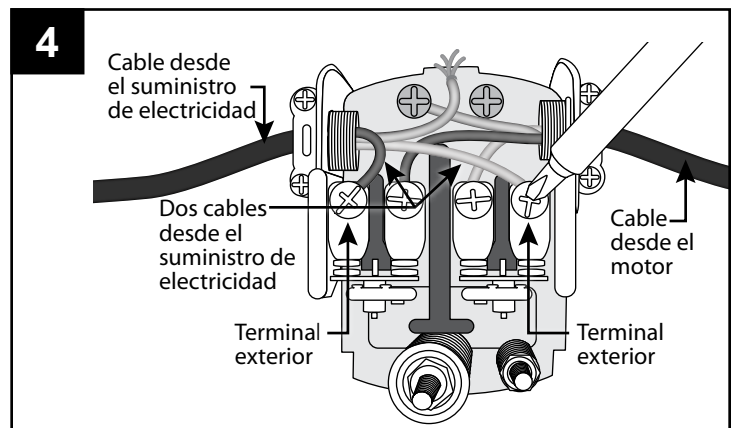
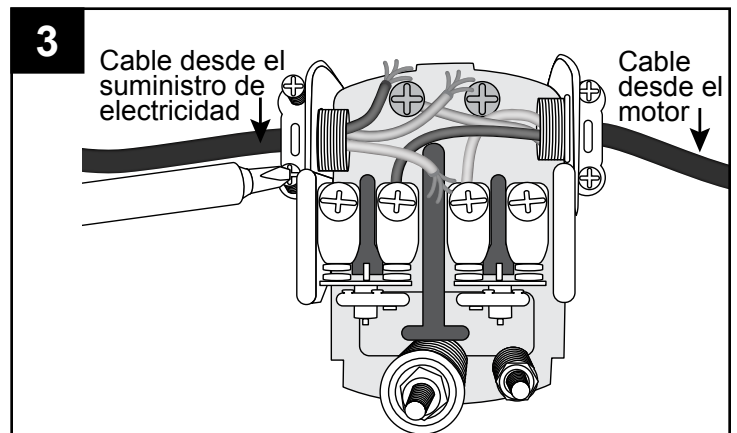
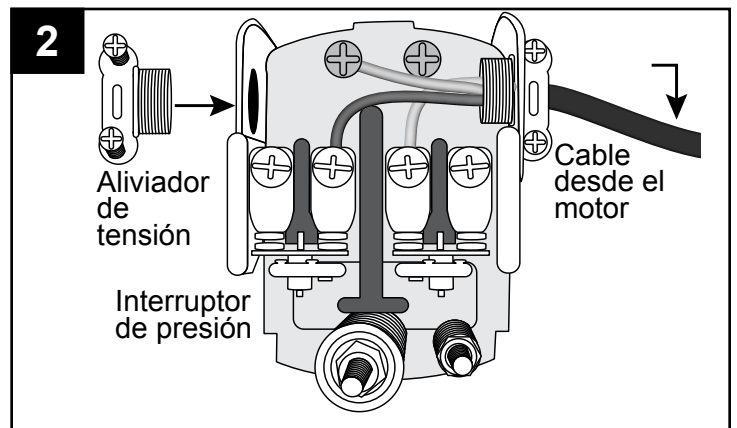
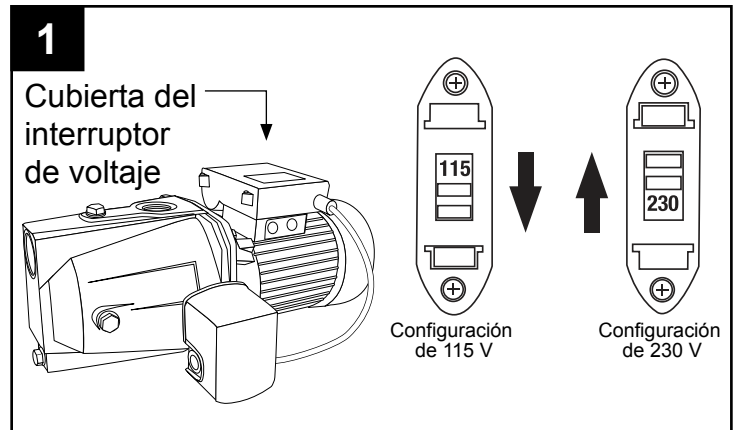
**PRECAUCIÓN:** Asegúrese de que la fuente de alimentación cumpla con los requisitos de la bomba. Esta bomba tiene un motor de voltaje doble y puede funcionar con 115 voltios o 230 voltios.

**La bomba está preconfigurada de fábrica para funcionar a 230 voltios.**

1. Para cambiar el voltaje de la bomba, retire la cubierta cuadrada del interruptor de voltaje en la parte superior de la bomba/tanque y mueva el interruptor de voltaje como se muestra.
2. Para conectar el interruptor de presión, retire la cubierta del interruptor e inserte un aliviador de tensión para cable eléctrico (no se incluye) en la apertura al costado del interruptor de presión.

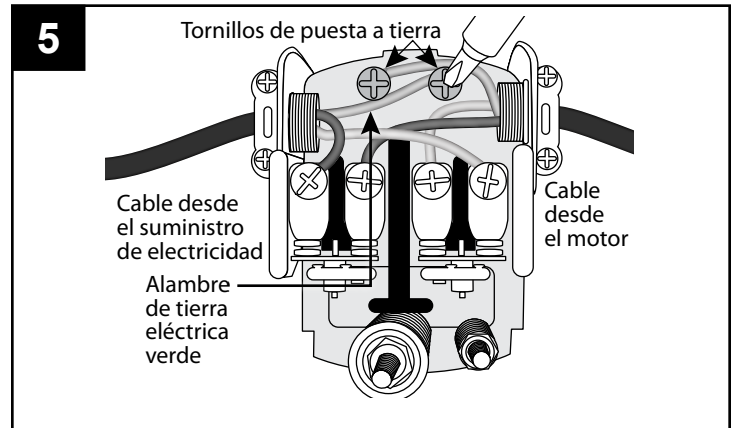
3. Pase el cable eléctrico (no se incluye) del suministro de electricidad a través del aliviador de tensión y apriete ambos tornillos en el aliviador de tensión. No aplaste el cable.

4. Conecte los dos cables del suministro de electricidad a los dos terminales exteriores del interruptor de presión.



## CONEXIONES ELÉCTRICAS DE LA BOMBA.

5. Conecte el conductor de puesta a tierra verde del suministro de electricidad al tornillo de puesta a tierra verde que queda en el interruptor de presión y vuelva a colocar la cubierta del interruptor de presión.



## CEBADO Y ARRANQUE DE LA BOMBA

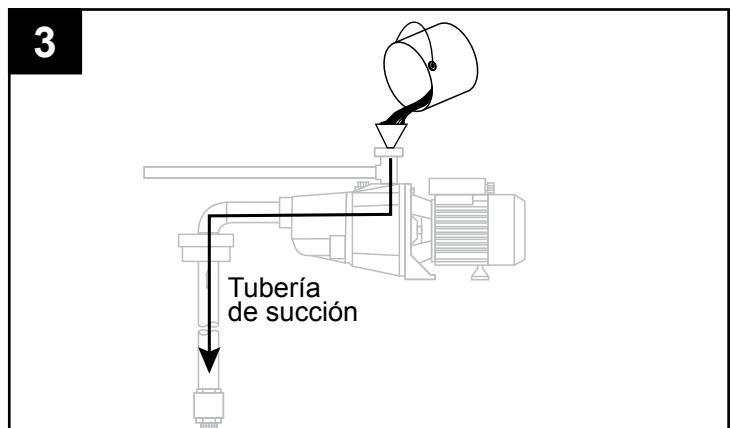
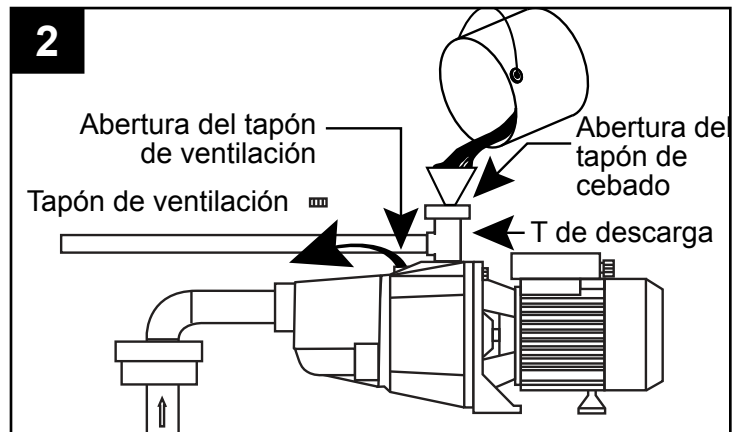
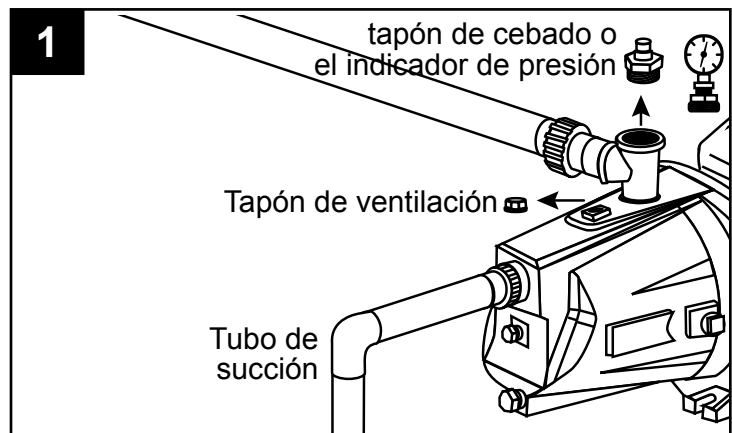
### CEBADO

**⚠ PRECAUCIÓN:** Todas las bombas deben cebarse (llenado de la cavidad con agua) antes de hacerlas funcionar por primera vez. Para esto podrían necesitarse varios litros de agua, ya que debe llenarse el tubo de succión y la cavidad de la bomba.

1. Retire el tapón para tubería o el indicador de presión (no se incluye) ubicado en la parte superior del conector de descarga y el tapón de ventilación ubicado en la parte frontal del conector de descarga.
2. Llene lentamente el conector de descarga con agua hasta que se desborde de la abertura del tapón de ventilación. Vuelva a colocar el tapón de ventilación sin apretarlo.

NOTA: El llenado completo de la bomba y el tubo de succión demorará varios minutos.

3. Asegúrese de que la tubería de succión se llene completamente al realizar el cebado. Dependiendo de la longitud de la tubería de succión, podrían necesitarse varios litros para llenar completamente el sistema.





## CEBADO Y ARRANQUE DE LA BOMBA

4. Asegúrese de que el nivel de agua en la cavidad de la bomba sea constante. Si el nivel del agua baja, podría haber una fuga en la válvula de pie. Revise la válvula o el tubo de succión.

5. Una vez que la bomba esté llena, cubra el indicador de presión o el tapón del conector de descarga y las roscas del tapón de ventilación con cinta para roscas y enrósquelos en la bomba. Apriete con una llave de tuercas.

NOTA: Antes de encender el interruptor, abra varias salidas o grifos para permitir el flujo de agua durante el cebado.

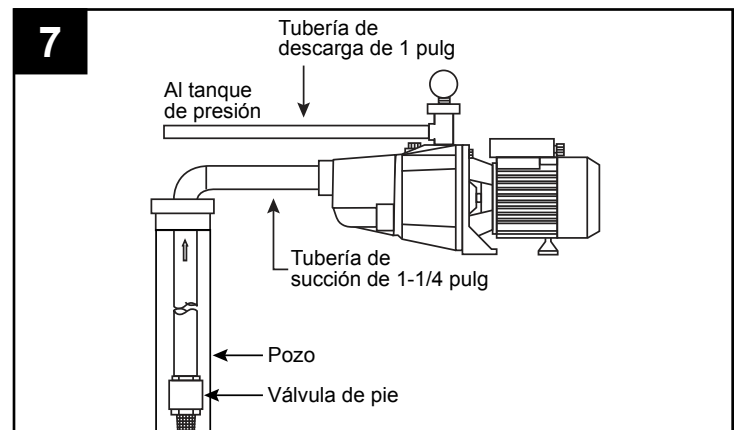
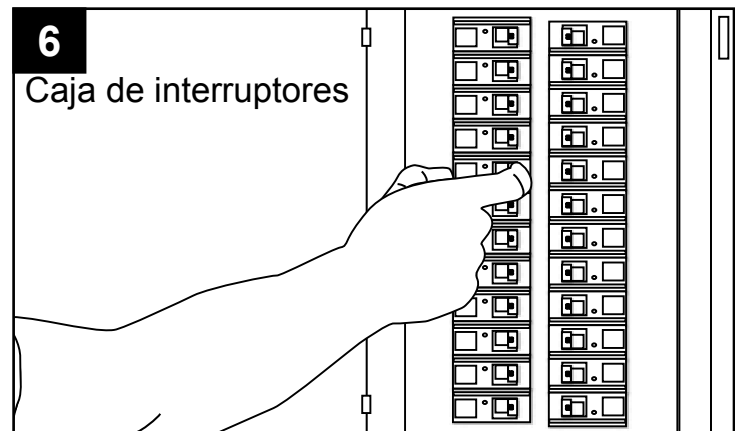
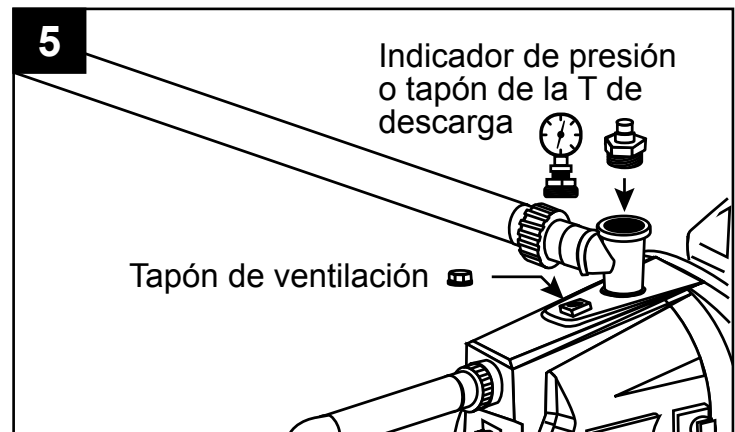
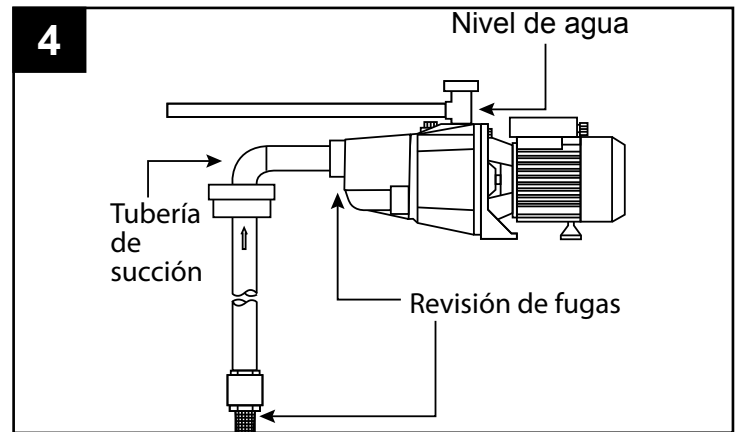
6. Encienda el interruptor para arrancar la bomba.

**⚠ IMPORTANTE:** Si la bomba silba en vez de bombear o se apaga repetidamente, desconéctela de inmediato. Revise el voltaje. Asegúrese de que el voltaje de entrada coincida con el voltaje del cableado de la bomba. Consulte la sección CONEXIONES ELÉCTRICAS DE LA BOMBA.

**⚠ IMPORTANTE:** Si la bomba no se ceba en los siguientes cinco minutos: Desconecte la alimentación eléctrica desde la caja de interruptores y revise todas las conexiones de los tubos en busca de fugas. Todas las conexiones deben ser impermeables y herméticas para que la bomba pueda funcionar.

7. Verifique que el tubo de succión no esté suelto. Sostenga el tubo de succión en línea recta hacia la bomba.

**NOTA:** Compruebe que no haya fugas o que el agua de descarga no tenga un color lechoso; esto indica que existe una fuga de aire. De ser necesario, vuelva a cebar siguiendo los pasos 1 al 6 anteriores. Reinicie el interruptor en la caja de interruptores. Todas las conexiones deben ser impermeables y herméticas para que la bomba pueda funcionar.

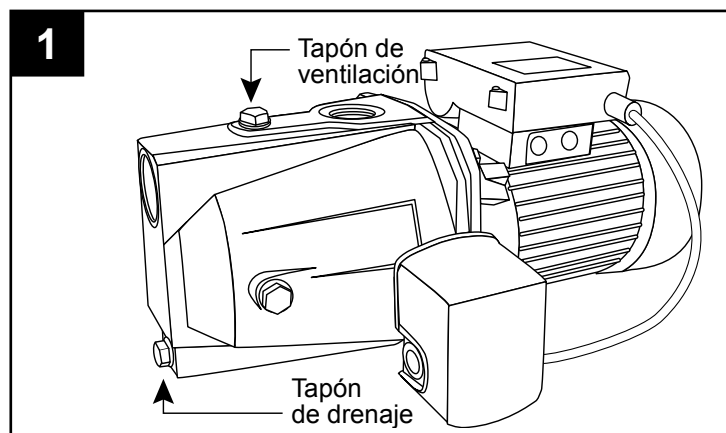


## CUIDADO Y MANTENIMIENTO

### Preparación para el invierno

**⚠ PRECAUCIÓN:** Drene todo el sistema si existe peligro de congelamiento.

1. Para drenar la bomba, retire el tapón de drenaje ubicado en la parte frontal de la bomba y el tapón de ventilación ubicado en la parte superior.



### GARANTÍA

Este producto está garantizado durante un año desde la fecha de compra o durante dos años desde la fecha de fabricación, la que ocurra primero. Sujeto a las condiciones establecidas a continuación, el fabricante ofrecerá al consumidor original la reparación o el reemplazo de cualquier parte del producto que presente un defecto resultante de la mano de obra o materiales defectuosos. Para obtener el servicio de garantía, póngase en contacto con el distribuidor a quien adquirió el producto. El fabricante conserva el derecho exclusivo y la opción de determinar si reparará o reemplazará el equipo, las piezas o los componentes defectuosos. Esta garantía no cubre los daños resultantes de condiciones que estén más allá del control del fabricante. Si tiene preguntas sobre la garantía o desea solicitar un servicio de garantía, llame al 1-800-742-5044.

ESTA GARANTÍA NO SE APLICARÁ A: (a) defectos o malos funcionamientos que sean consecuencia de no haber instalado, operado o mantenido correctamente la unidad según las instrucciones impresas provistas; (b) fallas resultantes de accidentes o actos de abuso o negligencia; (c) servicios de mantenimiento habituales y las partes usadas en conexión con esos servicios; (d) unidades que no estén instaladas de acuerdo con las buenas prácticas comerciales, las ordenanzas y los códigos locales habituales correspondientes; y (e) las unidades que se hayan usado para un fin distinto del propósito para el que se diseñaron o fabricaron.

DEVOLUCIÓN DE LOS COMPONENTES EN GARANTÍA: Cualquier artículo que deba ser reparado o reemplazado según esta garantía debe devolverse al fabricante y enviarse al lugar por éste designado, con flete prepago.

LA GARANTÍA QUE SE PROPORCIONA EN ESTE DOCUMENTO REEMPLAZA A TODAS LAS DEMÁS GARANTÍAS EXPRESAS Y NO PUEDE SER OTORGADA O MODIFICADA POR NINGUNA PERSONA. CUALQUIER GARANTÍA IMPLÍCITA SE LIMITARÁ AL PERÍODO DE LA GARANTÍA LIMITADA; DESPUÉS DE ESE PERÍODO, TODAS LAS GARANTÍAS IMPLÍCITAS SERÁN RECHAZADAS Y EXCLUIDAS. EN NINGUNA CIRCUNSTANCIA, EL FABRICANTE SERÁ RESPONSABLE DE DAÑOS ACCIDENTALES, RESULTANTES O ESPECIALES QUE INCLUYEN, ENTRE OTROS, DAÑOS A LA PROPIEDAD U OTROS EQUIPOS, O LA PÉRDIDA DE ÉSTOS; PÉRDIDA DE GANANCIAS; INCONVENIENTES; U OTROS DAÑOS ACCIDENTALES O RESULTANTES DE CUALQUIER TIPO O NATURALEZA. LA RESPONSABILIDAD DEL FABRICANTE NO DEBERÁ SUPERAR EL PRECIO DEL PRODUCTO DEL QUE ES RESPONSABLE.

Esta garantía le da derechos legales específicos y puede tener otros derechos, que varían según el estado. Algunos estados no permiten la aplicación de limitaciones respecto de la duración de las garantías implícitas o la exclusión de daños accidentales o resultantes, de modo que las limitaciones mencionadas pueden no aplicarse en su caso.

**En aquellas instancias en que haya daños causados por una presunta falla de la bomba, el propietario deberá conservar la bomba a fin de investigar dicha falla.**

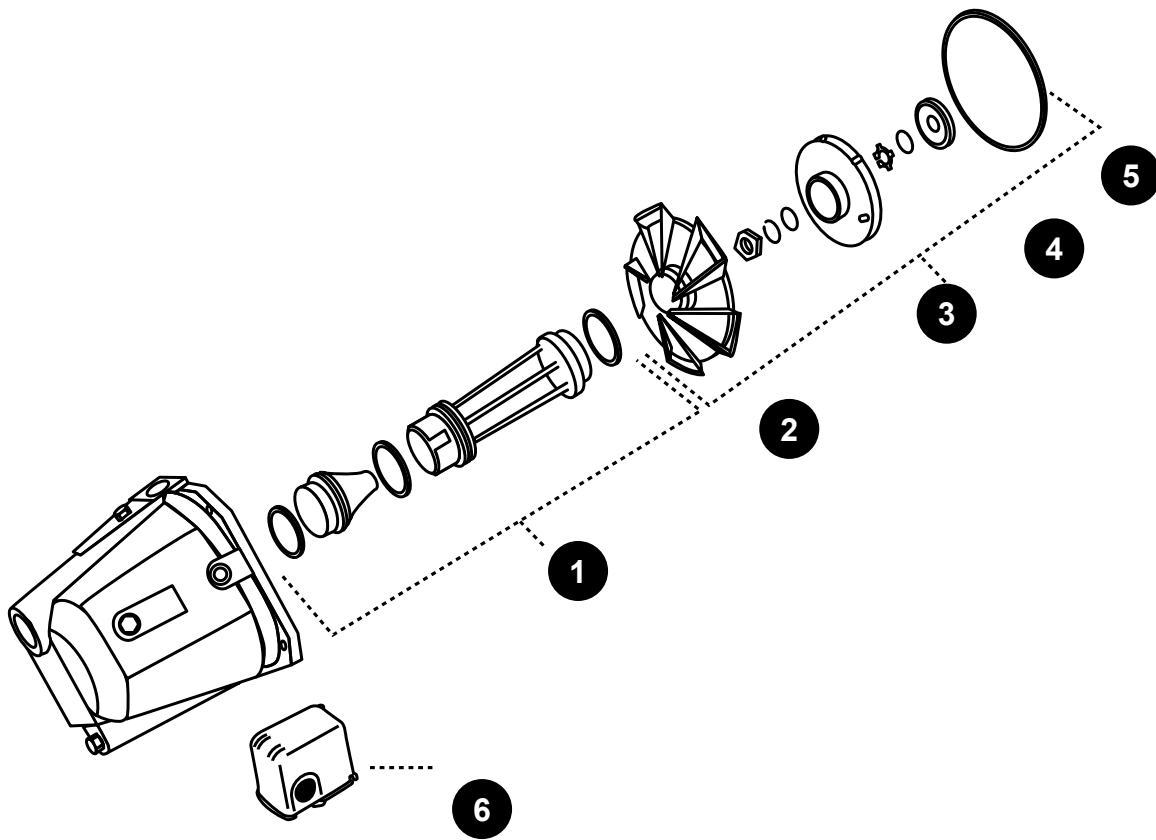
## SOLUCIÓN DE PROBLEMAS

| PROBLEMA                                       | CAUSA POSIBLE  | ACCIÓN CORRECTIVA  |
|--|--|--|
| Descarga mínima o nula                         | <ol style="list-style-type: none"> <li>1. La bomba no está cebada</li> <li>2. La elevación de succión es demasiado alta o demasiado larga</li> <li>3. Hay un orificio o una fuga de aire en el tubo de succión</li> <li>4. La válvula de pie es demasiado pequeña</li> <li>5. La válvula de pie o el tubo de succión no están bien sumergidos en el agua</li> <li>6. Interruptor de voltaje incorrecto</li> <li>7. La empaquetadura del entubado tiene una fuga</li> </ol> | <ol style="list-style-type: none"> <li>1. Siga las instrucciones de cebado (página 13)</li> <li>2. Acerque la bomba a la fuente de agua. La elevación debe ser inferior a 7,62 m</li> <li>3. Reemplace o repare. Use cinta para tuberías y compuesto para uniones de tuberías</li> <li>4. Ajuste la válvula de pie a la tubería o instale una más grande</li> <li>5. Sumérjalos a mayor profundidad en el agua</li> <li>6. Asegúrese de que el suministro de electricidad de 115 voltios o 230 voltios coincida con la configuración del interruptor de voltaje de la bomba</li> <li>7. Reemplace</li> </ol> |
| La bomba no proporciona agua ni genera presión | <ol style="list-style-type: none"> <li>1. La bomba no está cebada</li> <li>2. Hay una fuga en el tubo de succión</li> <li>3. El tubo de descarga está cerrado y el aire del cebado no se libera</li> <li>4. La válvula de pie tiene una fuga</li> <li>5. La válvula de pie no está sumergida bajo el nivel de agua</li> </ol>  | <ol style="list-style-type: none"> <li>1. Siga las instrucciones de cebado (página 13)</li> <li>2. Reemplace o repare. Use aditivos para tubos en todas las roscas</li> <li>3. Abra varias salidas o grifos durante el proceso de cebado</li> <li>4. Reemplace la válvula de pie</li> <li>5. Baje la válvula de pie y vuelva a cebar</li> </ol>  |
| La bomba vibra o hace demasiado ruido          | <ol style="list-style-type: none"> <li>1. La placa de montaje o la base no son lo suficientemente rígidas</li> <li>2. Hay materiales extraños en la bomba</li> <li>3. El impulsor está dañado</li> </ol>   | <ol style="list-style-type: none"> <li>1. Refuerce</li> <li>2. Desensamble la bomba y límpiela</li> <li>3. Reemplace</li> </ol>  |
| La bomba no se enciende ni funciona            | <ol style="list-style-type: none"> <li>1. Interruptor de voltaje incorrecto</li> <li>2. El fusible está fundido o el interruptor de circuito está abierto</li> <li>3. El cableado está suelto o roto</li> <li>4. Hay piedras u objetos extraños en el impulsor</li> <li>5. Una sobrecarga térmica abrió el circuito</li> </ol>   | <ol style="list-style-type: none"> <li>1. Asegúrese de que el suministro de electricidad de 115 voltios o 230 voltios coincida con la configuración del interruptor de voltaje del motor</li> <li>2. Reemplace el fusible o cierre el interruptor del circuito</li> <li>3. Apriete las conexiones, reemplace los cables rotos</li> <li>4. Desensamble la bomba y retire los objetos extraños</li> <li>5. Permita que la unidad se enfríe y reinicie después de haber determinado la razón de la sobrecarga</li> </ol>  |

## PIEZAS DE REPUESTO

Para obtener piezas de repuesto, llame a nuestro Departamento de Servicio al Cliente al 1-800-742-5044, de lunes a viernes de 7:30 a.m. a 5:00 p.m., hora estándar del Este.

| PIEZA | DESCRIPCIÓN                         | PIEZA NO. |
|-------|-------------------------------------|-----------|
| 1     | Juntas tóricas/Boquilla/Kit Venturi | 023735    |
| 2     | Difusor                             | 023707    |
| 3     | Impulsor (Modelo de 1/2 HP)         | 023709    |
| 3     | Impulsor (Modelo de 3/4 HP & 1 HP)  | 023711    |
| 4     | Sello mecánico                      | 023720    |
| 5     | Junta tórica                        | 023721    |
| 6     | Interruptor de presión              | 023722    |



Impreso en China